

# work.info

## Welding

November 2011



# Contents

---

<b>1</b>	<b>Foreword</b>	5
----------	-----------------	---

---

<b>2</b>	<b>Hot gas welding</b>	6
2.1	Work station	6
2.2	Seam preparation	6
2.3	Method	6
2.4	Welding faults	8
2.5	Finishing the weld seam	9
2.6	Weldability of different types of material	9

---

<b>3</b>	<b>Heated element welding</b>	10
3.1	Fold welding	11
3.2	Heated element butt welding for pipes and fittings	13
3.3	Heated element socket welding	17

---

<b>4</b>	<b>Heated coil welding</b>	18
4.1	Basic conditions	18
4.2	Welding seam preparation	18
4.3	Welding process	18

---

<b>5</b>	<b>Friction welding</b>	19
5.1	Method	19
5.2	Preparation for welding	19
5.3	Welding process	19

---

<b>6</b>	<b>Extrusion welding</b>	21
6.1	Preparation	21
6.2	Temperature	21
6.3	Effect of humidity	22
6.4	Equipment	23
6.5	Finishing the weld seam	24
6.6	Avoidance of cavity formation in welded items	24
6.7	Seam shapes	25
6.8	Variables which affect joint seam quality	26

---

# Contents

---

<b>7</b>	<b>Testing the weld seam strength</b>	27
7.1	Manual testing	27
7.2	Welding factor (tensile test)	27
7.3	Technological bending test	28

---

<b>8</b>	<b>Weld connections</b>	31
8.1	Structural strength of weld connections	31
8.2	Weld seam position	32
8.3	Stresses	34

---

<b>9</b>	<b>Advice</b>	36
----------	---------------	----

---

<b>10</b>	<b>Standards and sources</b>	37
10.1	DVS instructions	37
10.2	DIN standards	38
10.3	VDI guidelines	38
10.4	KRV guidelines	38

---

<b>11</b>	<b>Appendix</b>	39
	Hot gas welding	41
	Heated element butt welding of sheets	42
	Heated element butt welding of pipes	48
	Heated element socket welding	52

---

<b>12</b>	<b>Legal Note and Advice</b>	54
-----------	------------------------------	----

---

**SIMONA worldwide**

---

# 1 Foreword

The term welding of plastics refers to the indissoluble bonding of thermoplastics using heat and pressure with or without the use of an additional material. This term does not cover the processes ambiguously described as cold or swelling welding because in such cases the surface is partially dissolved and glued.

All welding methods take place when the material at the gap and surface zone is in the plastic state. The thread-like molecules of the pressed together parts combine and intertwine to form a homogeneous union.

Basically only plastics of the same type, e.g. PP with PP can be welded together and within this provision only those with the same or similar (neighbouring) molecular weight and same density, different colours however do not have an effect.

The only exception to this is the possibility of a satisfactory welded union between u-PVC and acrylic glass (PMMA).

## 2 Hot gas welding

(see DVS 2207-3)

### 2.1 Work station

The equipment at a welding work station should include, besides the hot gas welding machine with nozzles (3, 4 and 5 mm quick welding nozzles, fan welding nozzles and tacking nozzles, profiled wire nozzles), a thermometer, an air volume meter, an oil and water separator. Thermometers and temperature measuring stations with needle shaped probes have proved to be especially useful as they can be inserted into the nozzle for measuring the temperature. Accurate temperature measurement 5 mm in the nozzle (see table page 40) is a pre-condition for accurate welded seams with a high welding factor (see page 27).

### 2.2 Seam preparation

The most important types of seam are DV (X) and V seams plus the fillet seam for sheets to be welded at right angles. The sheets must be perfectly aligned and chamfered at 30°. This can be done using a plane, truing tool, miller, knife or spoke shave.

The most used seam is the DV seam in which welding is carried out from both sides alternately to avoid distortion. For thin sheets and in constructions where welding can only be carried out from one side the V seam is recommended. The welding surfaces of the sheet and wire must be cleaned mechanically.

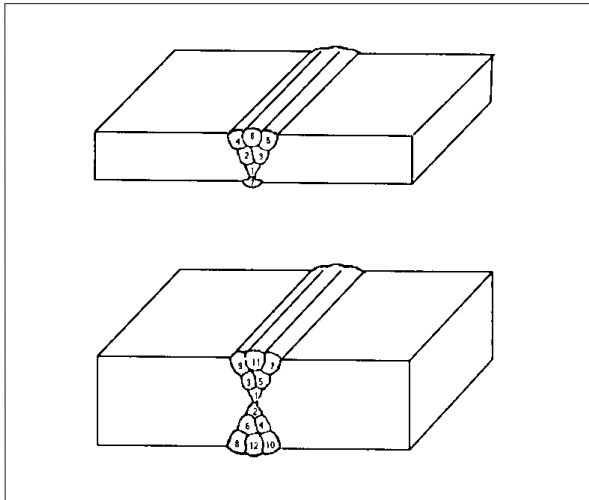
**Dirt, grease, perspiration and oxide coatings must be removed mechanically to achieve a high weld factor. Cleaning with a solvent is not sufficient.**

### 2.3 Method

Optimum results are only obtained when the base material and wire are equally plastic. The equipment must be checked regularly for temperature and air volume and adjusted as necessary.

Before the welding wire is put in position the start point is heated briefly until the surface is dulled. Before each new welding pass the welding bead and the oxide layers, whose occurrence is accelerated at high temperatures, are scraped off mechanically using special tools.

To reduce the distortion it is important that each welding seam is allowed to cool in air before a new welding pass is worked out. If thick sheets are to be welded by the DV seam process then the sheet must be turned over after each welding pass so that the seams are arranged in sequence opposite each other. When welding, a heated zone of equal width (approximately 5–8 mm) on both sides of the seam must be maintained. The achievement of double beading, in which both items reach the plastic melt zone, is important for a good connection between sheets. The molecule chains flow into one-another and double beading results.



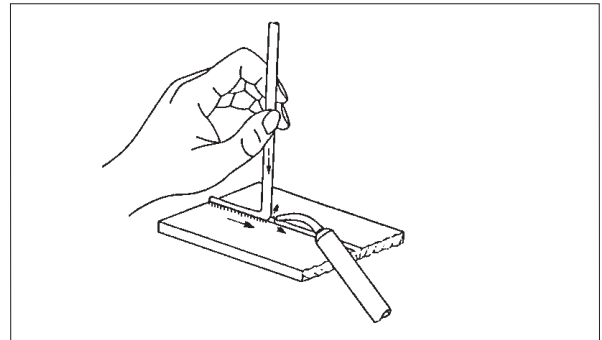
The most important types of weld seams for hot gas welding

#### Examples for the build up of weld seams

Material thickness mm	Welding wire quantity x diameter (mm)
<b>V-seam</b>	
2	1 x 4
3	3 x 3
4	1 x 3 and 2 x 4
5	6 x 3
<b>DV-seam (X-seam)</b>	
4	2 (1 x 4)
5	2 (3 x 3)
6	2 (3 x 3)
8	2 (1 x 3 and 2 x 4)
10	2 (6 x 3)

#### Using the round nozzle

This method requires more manipulative skill and ability than working with the quick welding nozzle. The wire should be held at a right angle to prevent lateral cracks (when the angle is too acute) and upsets (when the angle is too obtuse).



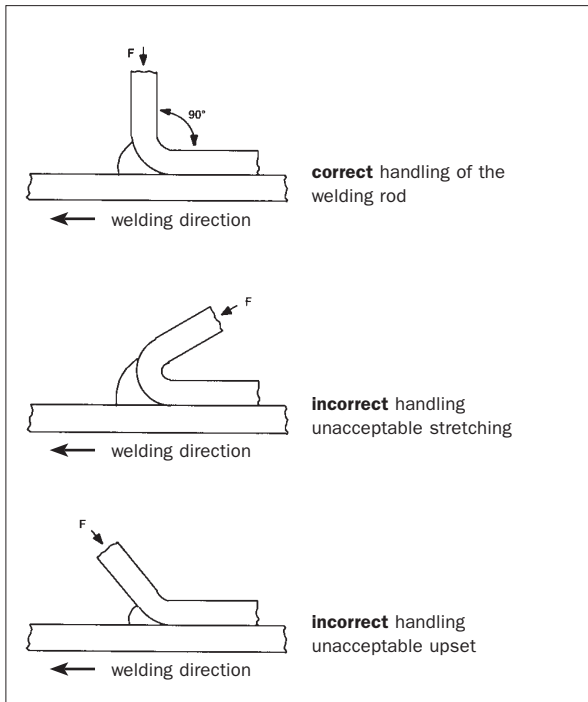
Hot gas welding with torch separate from filler rod

#### Using the quick welding nozzle

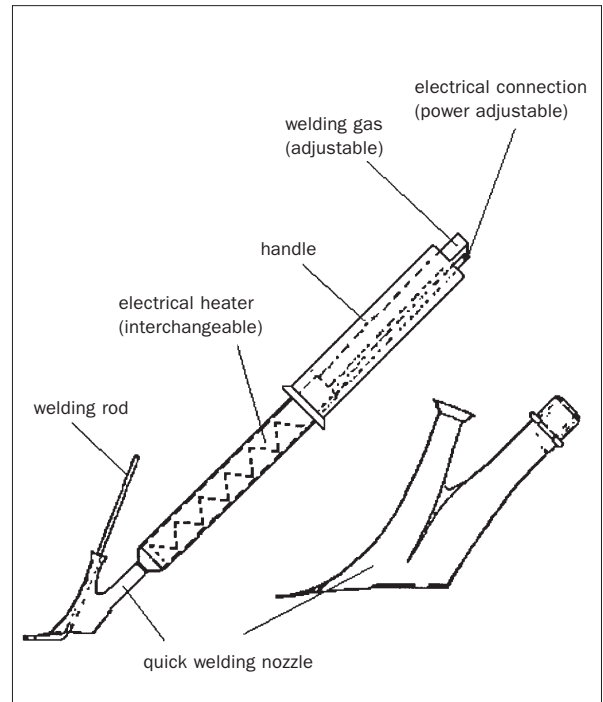
In comparison with round nozzle welding, welding with the quick welding nozzle allows welding speeds to be doubled and gives greater safety. Special nozzles are used through which the wire is led and pre-heated. The air outlet at the sheet end of the nozzle is narrow and only heats a specific required area of the sheet. Various nozzles are available which correspond to the various wire diameters and profiles.

#### Using the tacking nozzle

Welding with the tacking nozzle serves to fix together the parts to be welded. In this case fusion is brought about but without any additional wire. The tacking nozzle must be used with V seams in order to guarantee perfect bonding of the root face zones and to avoid a notch effect at the bend. Use of the tacking nozzle is also recommended when, for example, connections are to be fixed to the external surface of a piece under manufacture.



Principle of hot gas fan welding: Welding rod handling with the round nozzle



Quick welding nozzle

## 2.4 Welding faults

- Sheets and wire have not been heated equally (the heated zones left and right of the welding wire have not been heated equally).
- Temperature and air volume are not correct.
- Sheet and wire are not clean enough.
- The air is not water, oil and dust free.
- Lack of root fusion of the V seams.
- Air has been trapped within the welding seam area.
- The volume of the welding wire is insufficient to prevent notches in the welding seam area.
- Incorrect arrangement of the sheets.
- Welded too quickly: the welding wire remained round and was not sufficiently shaped resulting in no or incomplete bonding.
- Thermal damage has been caused as a result of using too high a welding temperature. The supposed advantage of quicker welding is paid for by thermal damage to the molecule chains which in extreme cases converts the long-chain formations almost back to their original monomer. This is particularly true for polyethylene and polypropylene.

## 2.5 Finishing the weld seam

As a rule the seams are left unfinished. They can however be finished using planes, sanders, mills or rasps but attention must be paid that no notches are formed. After several sandings using increasingly fine sanding paper weld seams can also be polished (e.g. PVC, PETG).

The table of hot gas welding guide values is on page 40.

## 2.6 Weldability of different types of material

Basically only plastics of the same type, e.g. PP with PP can be welded together and within this provision only those with the same or similar neighbouring molecular weight and same density, different colours however do not have an effect. Practically it means that particular materials always can only be welded together with sufficient steadiness within one or two neighbouring meltflow index groups. The corresponding melt-flow index groups can be taken out of the moulding material descriptions according to DIN EN ISO 1872 part 1 (PE) and DIN EN ISO 1873 part 1 (PP). The MFR-values, relevant for the welding, can also be taken out of the corresponding moulding material description.

The only exception to this is the possibility of a satisfactory welded union between u-PVC and acrylic glass (PMMA) or SIMOLUX (PETG).

### PE-HD (PE 63/PE 80/PE 100)

Pipeline parts and sheets with MFR 0.3–1.7 and 0.2–0.7 are capable for being welded together. This means that the melting viscosity, i.e. the melting behaviour, is very similar at heating-up. This statement is included in the DVS 2207, part 1 and furthermore was confirmed in an announcement from the DVGW (Deutscher Verband für Gas und Wasser).

### PP-H 100 (type 1), PP-B 80 (type 2), PP-R 80 (type 3)

Weldability is given within the melt-flow index group 006/012 (MFR 190/5: 0.4–1.0 g/10 min). You can read this statement in the DVS 2207, part 11.

### PVDF

There are two PVDF types on the market, manufactured by different polymerisation processes: the emulsion-PVDF and the suspension-PVDF. Without revealing details it needs to be emphasized that semi-finished products of both processes can be welded between each other with a high connection value.

The DVS-regulation 2207, part 15 not only deals with heated element butt welding but also with socket welding of extruded pipes, injected fittings as well as sheets.



## 3 Heated element welding

Pre-Heating is by means of a PTFE coated heating element. Because of the direct contact the heat transfer is much more intensive than for hot gas welding; the heat distribution over the cross section of the material is more favourable, no zone of the material is more thermally stressed than is required for welding. The resulting connections have very low stresses. Heated element welding takes place by bringing the heated contact surfaces together under a specific pressure and cooling under pressure. Modern equipment is fitted with data collectors which allow welding records to be prepared and printed.

The following points are decisive for weld seam quality: (see also figure on page 11):

### **a. Welding seam preparation**

The first and most important requirement for heated element welding is cleanliness of the materials to be welded and of the heating element. Teflon films and coatings make cleaning the heating element easier and prevent the plastic sticking to the heating element when hot. This is particularly necessary when welding PVC.

### **b. Heating element temperature**

As a rule for thicker-walled semi-finished products lower temperatures – within the tolerances (see tables on pages 42 to 51) – are used, for a correspondingly longer time.

### **c. Alignment time**

The perfectly smooth surfaces for welding are held evenly in the hot tool and under the pressures given in the tables (see tables on pages 42 to 51) until a continuous bead of melted material appears.

### **d. Heating-up time**

In order to obtain an as even as possible heat flow in the material the heating-up pressure is reduced linearly to zero in the next part of the cycle. A sharp temperature boundary zone between plasticised and unplasticised material is avoided. Stresses are reduced.

### **e. Change-over time**

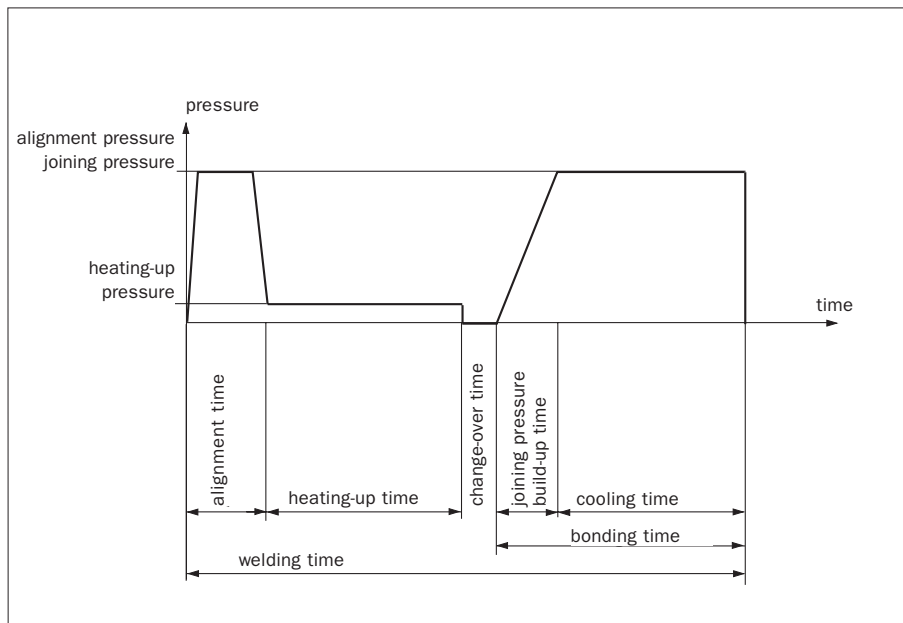
To achieve a weld with a high weld factor (see page 27) the quick bonding of the parts for welding is decisive. This is particularly true for PVC and high temperature materials.

### **f. Joining pressure build-up time**

During the joining pressure build-up time, the pressure is comparatively slowly increased. Sudden use of full pressure would press the hot plastic material out of the welding zone which would result in an inadequate weld factor.

### **g. Joining pressure and cooling time**

Joining pressure and cooling time depend on the type of material and the wall thickness. The full strength of the welded seam is reached after cooling under joining pressure to room temperature. The part can be removed from the machine. Do not cool down with water or air (stresses).



*Pressure/time-diagram; sequence for heated element butt welding*

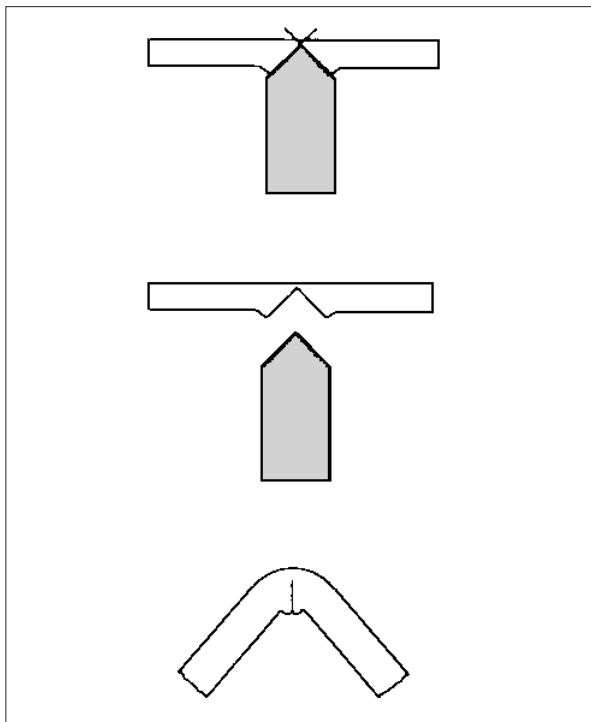
### 3.1 Fold welding

(see DVS 2207-14)

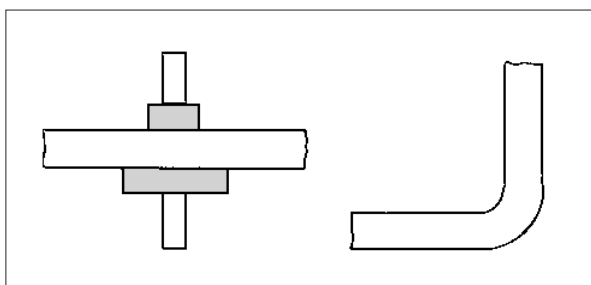
This combined method (see figure, page 12) is a modification of heated element butt welding. The cutting edge of the heated blade is melted into the plastic under pressure. For larger sheet thicknesses a small groove (approx. 0.5 x sheet thickness) can be milled or sawn before melting to save heating-up time and the plastic from long exposure to the heat. When the required depth has melted – 2/3 to 3/4 of the sheet thickness – so much heat from the bottom heater of the heated blade has penetrated to the back of the seam that true heat deformation is obtained as a result of the subsequent folding. Normally the heated blades are chamfered at 80–86° to guarantee a perfect 90° fold. Blades with a sharper angled cutting edge must be used for folding obtuse angles.

On long folded profiles a clear curvature can often be seen after cooling. Apart from the longitudinal distortion attention must be particularly given to the cooling shrinkage stresses in the welded zone, which are strengthened by the internal stresses within the semi-finished material arising from the manufacturing process. Narrow side uprights lead to large distortions, wide and therefore more rigid uprights to lower distortion. Furthermore, with larger sheet thicknesses (from approx. 6 mm) it is advisable to heat the back of the sheet with a second heated blade (width of the heated blade min. 2 x the sheet thickness) or with hot air to prevent undesirable stresses. Folds at right angles to the direction of extrusion show much less distortion resp. bowing.

We furthermore recommend from a sheet thickness of 10 mm onwards to work out of the sheet a V-groove of approximately 50 per cent of the thickness by machining or sawing prior to the welding process. This groove should be provided in order to avoid a too high emerging out of the welding zone. On top of this the welding period is reduced by the lower heating-up time.



Fold welding



Bending

**Guide values for heated element fold welding on the Wegener Bending and Folding Machine e.g. BV 300**

	Adjusted temperature °C		Time s for 1 mm thickness
	upper	lower	

**Folding**

PE	220	140	~ 30
PP	230	150	~ 45
PVDF	240	160	~ 45

**Bending**

PVC	220	170	~ 30
-----	-----	-----	------

### **Welding methods:**

For the indissoluble connection of SIMONA® pipes and fittings we recommend the following practically proven methods:

- Heated element butt welding (see page 13)
- Heated element socket welding (see page 17)
- Heated coil welding (see page 18)

See also DVS guidelines

- 2207-1 for PE
- 2207-11 for PP and
- 2207-15 for PVDF

## **3.2 Heated element butt welding for pipes and fittings**

(see DVS 2207-1, -11 and -15 and figure, page 14)

Basic conditions for heated element butt welding, heated element socket welding and heated coil welding.

The welding area must be protected from adverse weather conditions (e.g. effects of humidity, wind, strong sunshine and temperatures below +5°C). In sunshine pipe wall temperatures should be equalised by timely covering of the welding areas of the unevenly warmed pipes.

If it can be guaranteed that, by taking suitable measures such as

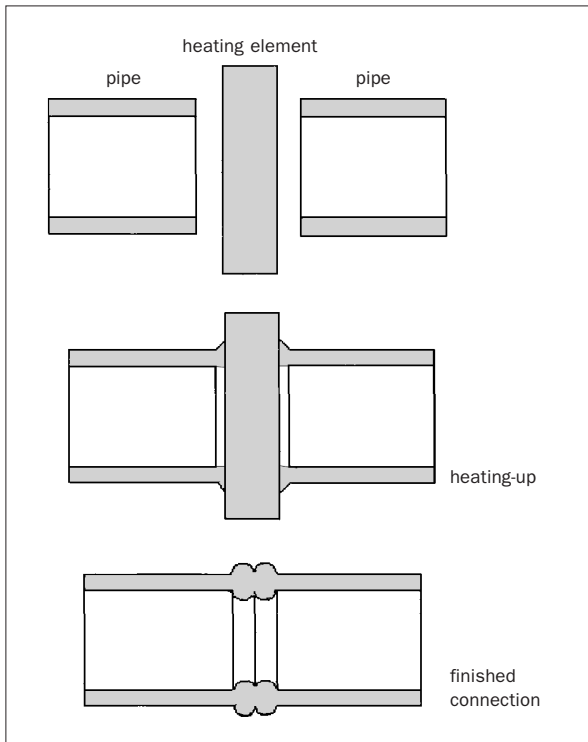
- heating-up
- canopies
- heating

a sufficient and regular pipe wall temperature for welding can be maintained then welding can be carried out at any outside temperature.

The dew point graph has to be taken into consideration. The parts to be welded must have the same temperature level. Experimental welds have to be made and inspected if necessary.

The bonding surfaces of the parts to be welded must be free from contamination. Cleaning must be carried out immediately before welding. The same applies to the heating element which must be cleaned with PE-Cleaner and non-fibrous paper. To prevent the pipe sticking to the heating element and to make the removal of the pipe easier the metal surfaces should be teflonised. The pipe ends opposite the welding positions should be closed to prevent cooling by strong draughts during the welding process.

Before heated element butt welding the faces of the pipe are machined and brought to the welding temperature by means of the heating element and the resultant plastified welding surfaces – after removal of the heating element – joined together under pressure.



*Principle of heated element butt welding*

### **Welding seam preparation**

The pipeline parts should be axially aligned before clamping in the welding machine. The longitudinal freedom of the parts to be welded should be guaranteed by carrying out appropriate measures e.g. adjustable pulley brackets.

The surfaces to be bonded should be prepared with a plane whilst clamped. A cutting depth of  $\leq 0.2$  mm should be chosen. Any shavings which may have fallen into the pipe should be removed using a clean tool. On no account should the prepared welding surfaces be touched by the hands.

After preparation the plane-parallelism must be checked. The remaining gap must not exceed the value given in the table on page 15. At the same time it must be checked that the mismatch of the pipe ends is less than 10 per cent of the wall thickness.

**Maximum width of gap between prepared welding ends**

External diameter of pipe d mm	Width of gap a mm
≤ 355	0.5
400 – < 630	1.0
630 – < 800	1.3
800 – ≤ 1000	1.5
> 1000	2.0

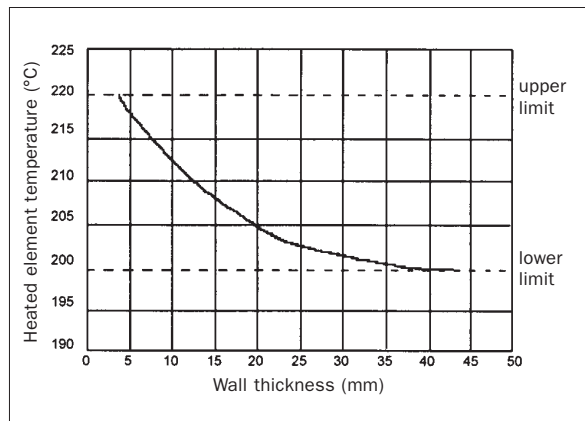
**Welding process**

The heating element which has been heated to welding temperature (for PE-63/PE 80 see figure in the right column; in practice welding machine manufacturers recommend for PE 100 220 °C independent on the wall thickness) is placed between the parts to be welded and the bonding surfaces are pressed onto both sides of the heating element with the correct alignment pressure. A temperature of 240 ± 8 °C applies for PVDF resp. 210 ± 10 °C for PP.

Temperature control is carried out using a rapid response surface temperature measuring instrument with a contact fluid if need be or with IR temperature measuring instrument.

The force required to align or bond can be calculated from the welding surfaces and the specific pressure. Normally the welding machine manufacturers give the values in table form as most equipment is a pneumatic or hydraulic not dynamometric. The work piece movement pressure is to be added to this given pressure. This is affected by the friction of the machine components and the weight of the pieces to be welded.

Alignment is completed when a bead has formed on the complete perimeter of the parts to be welded which accords with the values given in tables on pages 42 to 51. During the heating-up time, which starts now, the contact pressure is reduced almost to zero.



Welding temperature PE-HD (PE 63/PE 80)  
(see DVS 2207-1)

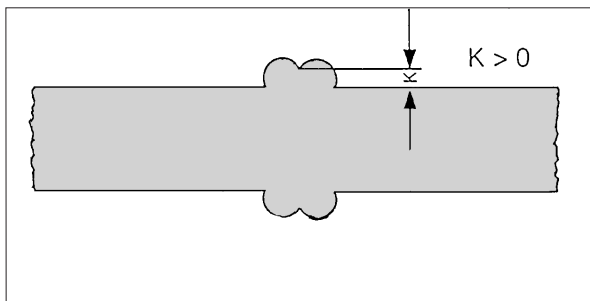
After heating-up the bonding surfaces are removed from the heating element without being damaged or contaminated. The time for removal of the bonding surfaces, withdrawal of the heating element and contact of the bonding surfaces is known as change-over time and should be kept as short as possible.

The surfaces to be welded should be brought together with a speed as close to zero as possible. The pressure should then be slowly increased (for times see tables on page 42 to 51) and kept steady until complete cooling has occurred. The joining pressure values given in the tables may vary due to a differing consideration of the moving pressure of the machine for sheets and pipes.

**Cooling of the weld seam area or the use of coolants is not permitted.**

For large wall thicknesses – from about 20 mm – a more regular cooling during the cooling time can be obtained by covering the welding zone which has a favourable influence on the welding seam quality. After bonding there must be over the whole circumference a regular continuous double bead (see figure).

If the weld bead requires finishing this is best done before cooling – approx. 2/3 of the cooling time – is complete. There is a danger that cutting work on the cold bead will cause notches. With hard materials such as PVDF tears in the material may occur.



*Bead formation for heated element butt welding*

### 3.3 Heated element socket welding

(see DVS 2207-1, -11 and -15)

#### Basic conditions

Pipe and pipe-line parts are lap welded. Using a socket or nozzle shaped heating element both surfaces are heated to welding temperature and then joined. The measurements of the pipe ends, heating element and socket are harmonised so that a joining pressure builds up during bonding.

For pipe diameters

- $\geq 63$  mm for PE-HD and PP
- $\geq 50$  mm for PVDF

suitable welding equipment must be used.

#### Welding seam preparation

The bonding surfaces of the pipes should be prepared using a skiving tool or scraper. The heated element has to be taken into consideration acc. to DVS guideline 2208-1 (tables 7 and 8). The fitting should be thoroughly cleaned inside with a cleaning agent (e.g. Tangit Cleaner, Henkel) and absorbent non-fibrous paper.

The pipe end should be angled on the outside at approximately  $15^\circ$  to

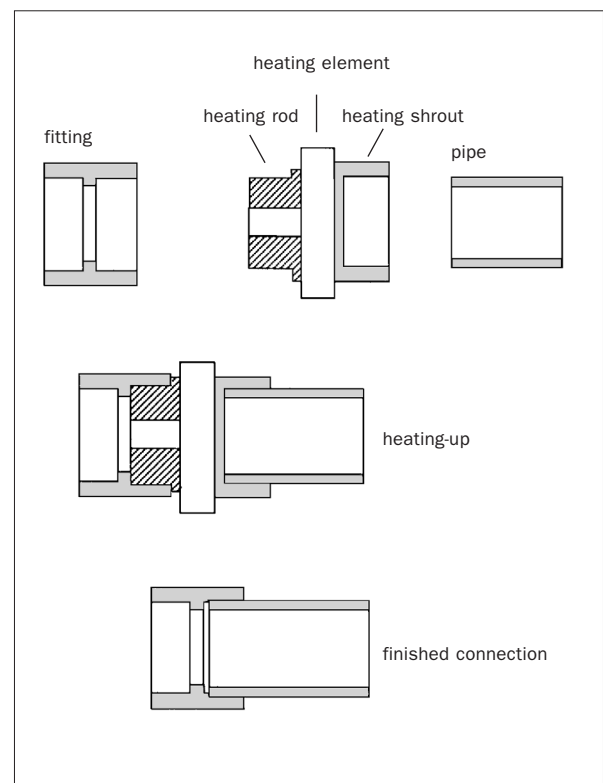
- a width of 2 mm for diameters up to 50 mm
- a width of 3 mm for larger diameters.

With manual welding a mark should be made to show the insertion depth at the pipe ends.

#### Welding process

The welding tools are heated to  $260 \pm 10^\circ\text{C}$ . Temperature control is carried out using a rapid response surface temperature or IR measuring instrument. To pre-heat first the fitting is inserted as far as the stop and then the pipe up to the mark. The parts to be welded are heated for the time given in tables on pages 52 and 53.

After the heating-up time the fitting and pipe are pulled from the heating element and put together up to the mark or stop without distortion or tilting. The bonded pieces must be clamped and cooled corresponding to the tables of page 52 and 53.



Principle of heated element socket welding



## 4 Heated coil welding

(see DVS 2207-1 and -11)

### 4.1 Basic conditions

The bonding surfaces i.e. the pipe surface and the inner surface of the socket are heated to welding temperature and welded by means of electricity passing through resistance wires (heated coil) embedded in the socket. This method is used at present for PE-HD and PP.

### 4.2 Welding seam preparation

Clean surfaces are decisively important for perfect welds using the heated coil welding method. The surfaces of the pipes must be prepared in the welding zone with a scraper or a rotary scraper. The inner edge must be deburred and the outer edge rounded off in accordance with figure on this page.

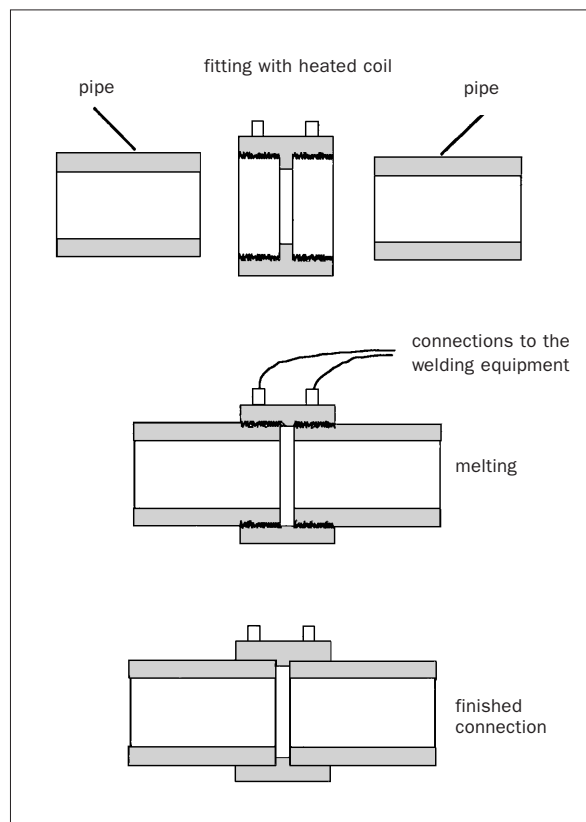
The fitting should be thoroughly cleaned inside with a cleaning agent (e.g. Tangit Cleaner, Henkel) and absorbent non-fibrous paper.

The degree of out-of-round in the welding zone must not exceed 1.5 per cent of the outside diameter, max. 3 mm. Otherwise appropriate compression clamps must be used.

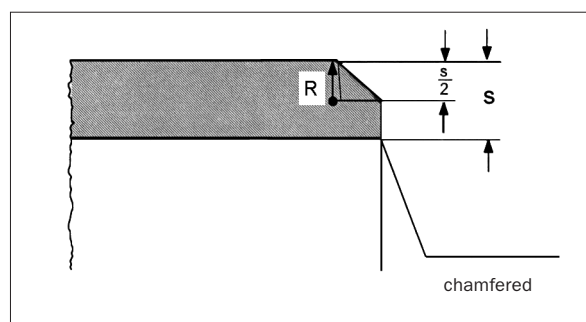
When locating the fitting attention must be paid that the pieces are not tilted or forcibly inserted otherwise the heated coil could be moved or damaged.

### 4.3 Welding process

Only welding equipment suited to the fitting should be used. Before welding the welding equipment is adjusted to the values corresponding to the diameter and nominal pressure of the pipe. The equipment



Principle of heated coil welding



Preparation of the pipe ends

and fitting are joined by means of a welding cable. The welding process takes place automatically: with modern equipment a welding record is produced. The pipe connection can only be moved after cooling.

# 5 Friction welding

## 5.1 Method

In friction welding the plastification required for welding is produced without supplying thermal energy and preferably without adding extra material by friction of the bonding surfaces of the parts to be welded. This causes beading and the parts are welded under pressure.

In this method one work piece is usually turned against a fixed one, so the rotation symmetric bonding surfaces can be faces or circumferential surfaces.

## 5.2 Preparation for welding

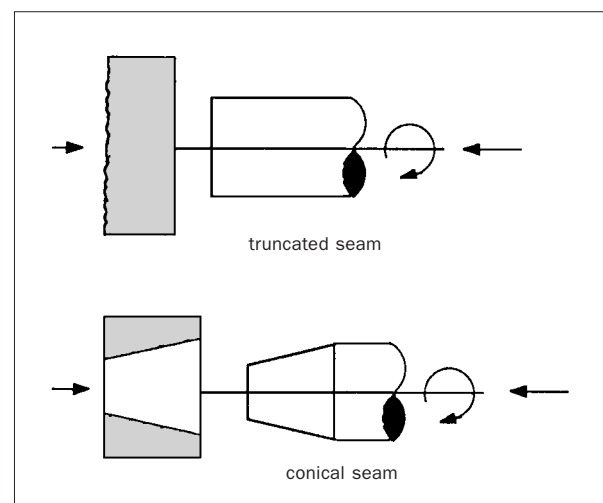
The bonding surfaces of the parts to be welded must be free from contamination. Cleaning agents which dissolve plastics or cause them to swell must not be used.

The geometrical formation of the bonding surfaces is important for the success of the welding. With butt joints of parts up to about 30–40 mm diameter the bonding surfaces must be faced while for pieces with a diameter of more than 40 mm one or both bonding surfaces must be given a slight crown by machine processing.

Thin walled pieces (pipes) must be supported by suitable means in the area of the bonding surfaces.

## 5.3 Welding process

The pieces for welding are fitted in a tool (see figure page 20); then one piece is turned against the other which is usually fixed. After reaching the welding temperature – the correct point is recognisable when plasticised material is seen all round the circumference – the fixed piece is released and the turning motion of the two pieces ended as quickly as possible. The joining pressure is maintained until sufficient cooling has occurred.



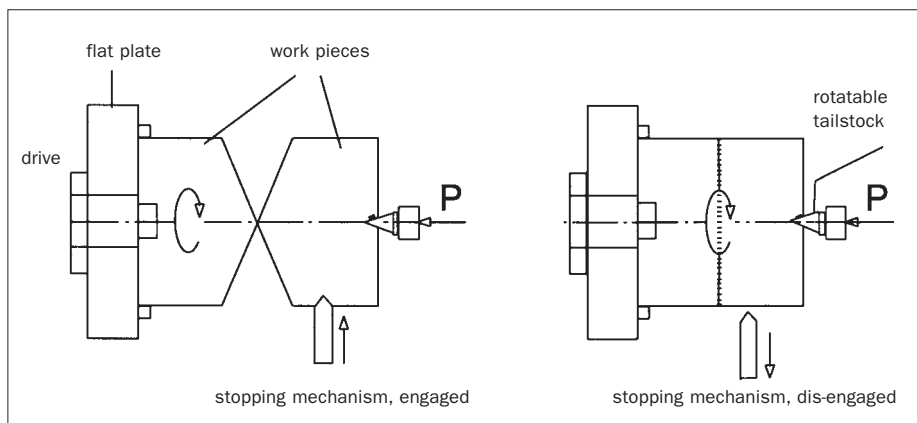
Welding the seam

The basic variables affecting friction welding are:

- Heating-up pressure: Pressure with which the bonding surfaces are held together during turning
- Heating-up time: Time of application of the heating-up pressure
- Joining pressure: Pressure for joining the parts to be welded
- Joining time: Time of application of the joining pressure

In practice, depending on the diameters of the welding surfaces, circumferential speeds of about 1–4 m/sec are used. The welder must determine by preliminary tests for each application the material, work piece and inter-relating welding conditions (e.g. friction speed, heating-up and joining pressure).

The heating-up pressure (friction pressure) and joining pressure (welding pressure) are approximately 0.5–1.5 N/mm<sup>2</sup> for polyolefines and u-PVC. The aim is to keep the friction pressure so low that the plastified material cannot be forced out of the bonding area.



Principle of friction welding  
left: ready to weld; right: welded

## 6 Extrusion welding

(see DVS 2207-4)

Extrusion welding is used, amongst other things, for connecting thick walled parts. Welding is carried out with a homogeneous welding filler. For PVC the process is limited (contact the extruder producer). For PVDF special screws have to be used. If necessary please contact the extruder producer.

### 6.1 Preparation

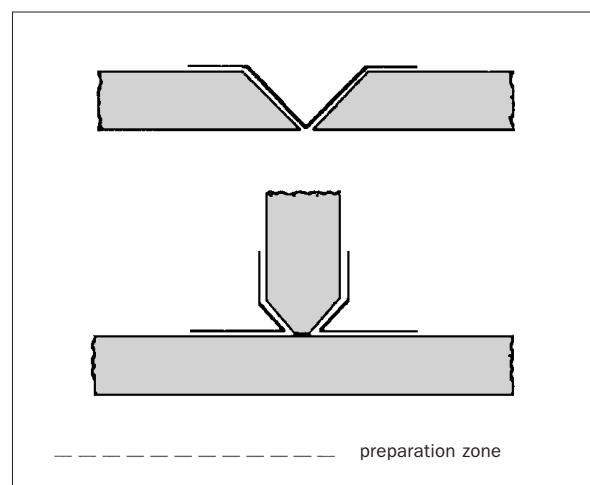
Immediately before welding the bonding surfaces, neighbouring areas and also damaged surfaces (particularly those arising from the effects of weather and chemicals) must be cleaned off mechanically back to undamaged material. Cleaning materials (e.g. acetone) which attack or modify the surface of the plastic must not be used.

#### Example:

Material PP, sheet thickness 10 mm, V-butt joint 60°–80°, suitable extruder, rod PP Ø 4 mm

#### Settings:

60° V angle, air gap 1 mm (see preparation of the welding zone),  $T_M = 225\text{--}230\text{ }^\circ\text{C}$ ,  $T_L = 275\text{--}295\text{ }^\circ\text{C}$ , distance between the heating-up nozzle and the substrate 10–15 mm, extruder output approx. 1.5 kg/h resulting in a welding speed of approx. 150–175 mm/min. Welding speed: < 20 cm/min for PE/PP with a wall thickness of 10 mm



Cleaning the welding area

### 6.2 Temperature

#### Temperature

	Temperature of the extruded material measured at the nozzle mouth °C	Air temperature measured in the nozzle °C	Volume of air (volume of cold air drawn in) l/min
PE-HD	210 – 230	250 – 300	≥ 300
PE FOAM	210 – 230	250 – 300	≥ 300
PP-H, B, R	210 – 240	250 – 300	≥ 300
PP FOAM	210 – 240	250 – 300	≥ 300
PVC-U	170 – 180	300 – 360	≥ 300
PVC-C	195 – 205	300 – 360	≥ 300
PVDF	240 – 260	280 – 350	≥ 300

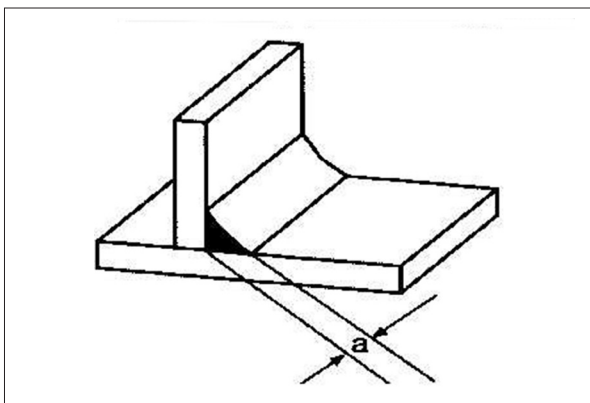
### 6.3 Effect of humidity

Plastics, also welding fillers out of polyolefines, can absorb moisture at the surface under special conditions. Tests made by an important raw material producer and by SIMONA give rise to the following conclusion:

Dependent on the material and the environmental conditions the welding filler absorbs moisture at the surface. During extrusion welding this adsorbed moisture can cause bubbles in the seam resp. a rough seam surface. This phenomenon increases with increasing seam thickness (a-value).

To prevent the problem “moisture” during the welding process please pay attention to the following items:

- install a water/oil trap into the air system
- avoid temperature differences of the parts to be welded (condensation water)
- storage of the welding filler as dry as possible (e.g. heating rooms)
- pre-dry the welding filler if necessary (air evacuation oven: PE 80 °C/PP 100 °C/PVC 60 °C, for at least 12 h)
- weld high a-values ( $\geq 18$  mm) in several passes



Fillet seam (a-value)

### Relative moisture

Formula:

$$\text{relative humidity [\%]} = \frac{\text{Quantity of existing moisture} \times 100}{\text{Max. quantity of moisture}}$$

If the level of moisture in the air remains constant, relative humidity changes as follows:

- relative humidity drops when the air is warmed and
- relative humidity rises when the air is cooled

If the air cools down to such an extent that relative humidity reaches the value of 100 per cent, water vapour has to separate from the air in the form of mist if there is further cooling. The temperature at which this takes place is termed dew point. Therefore, condensation occurs whenever the air is cooled to below dew point.

You can determine the dew point using the table on page 23. At a given temperature of 20 °C and a relative humidity of 60 per cent, for example, the dew point is 12 °C.

**Dew point of air in relation to the temperature and relative humidity of the air**

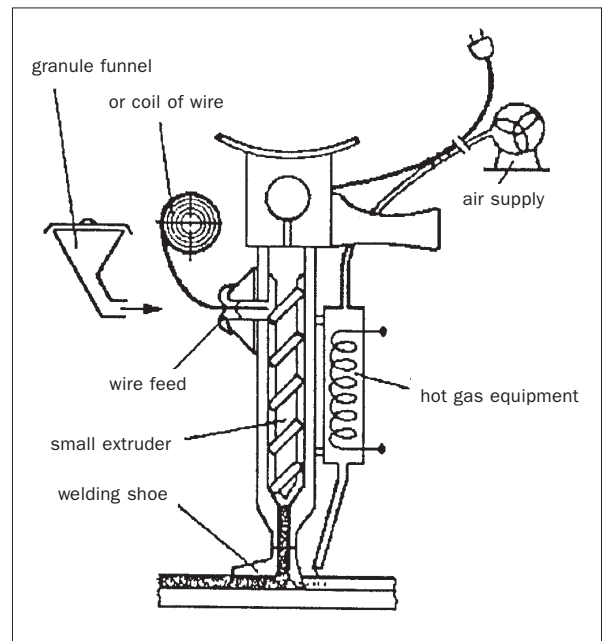
Air temperature °C	Dew point in °C in relation to the relative humidity of the air of													
	30 %	35 %	40 %	45 %	50 %	55 %	60 %	65 %	70 %	75 %	80 %	85 %	90 %	95 %
30	10.5	12.9	14.9	16.8	18.4	20.0	21.4	22.7	23.9	25.1	26.2	27.2	28.2	29.1
29	9.7	12.0	14.0	15.9	17.5	19.0	20.4	21.7	23.0	24.1	25.2	26.2	27.2	28.1
28	8.8	11.1	13.1	15.0	16.6	18.1	19.5	20.8	22.0	23.2	24.2	25.2	26.2	27.1
27	8.0	10.2	12.2	14.1	15.7	17.2	18.6	19.9	21.1	22.2	23.3	24.3	25.2	26.1
26	7.1	9.4	11.4	13.2	14.8	16.3	17.6	18.9	20.1	21.2	22.3	23.3	24.2	25.1
25	6.2	8.5	10.5	12.2	13.9	15.3	16.7	18.0	19.1	20.3	21.3	22.3	23.3	24.1
24	5.4	7.6	9.6	11.3	12.9	14.4	15.8	17.0	18.2	19.3	20.3	21.3	22.3	23.1
23	4.5	6.7	8.7	10.4	12.0	13.5	14.8	16.1	17.2	18.3	19.4	20.3	21.3	22.2
22	3.6	5.9	7.8	9.5	11.1	12.5	13.9	15.1	16.3	17.4	18.4	19.4	20.3	21.2
21	2.8	5.0	6.9	8.6	10.2	11.6	12.9	14.2	15.3	16.4	17.4	18.4	19.3	20.2
20	1.9	4.1	6.0	7.7	9.3	10.7	12.0	13.2	14.4	15.4	16.4	17.4	18.3	19.2
19	1.0	3.2	5.1	6.8	8.3	9.8	11.1	12.3	13.4	14.5	15.5	16.4	17.3	18.2
18	0.2	2.3	4.2	5.9	7.4	8.8	10.1	11.3	12.5	13.5	14.5	15.4	16.3	17.2
17	-0.6	1.4	3.3	5.0	6.5	7.9	9.2	10.4	11.5	12.5	13.5	14.5	15.3	16.2
16	-1.4	0.5	2.4	4.1	5.6	7.0	8.2	9.4	10.5	11.6	12.6	13.5	14.4	15.2
15	-2.2	-0.3	1.5	3.2	4.7	6.1	7.3	8.5	9.6	10.6	11.6	12.5	13.4	14.2
14	-2.9	-1.0	0.6	2.3	3.7	5.1	6.4	7.5	8.6	9.6	10.6	11.5	12.4	13.2
13	-3.7	-1.9	-0.1	1.3	2.8	4.2	5.5	6.6	7.7	8.7	9.6	10.5	11.4	12.2
12	-4.5	-2.6	-1.0	0.4	1.9	3.2	4.5	5.7	6.7	7.7	8.7	9.6	10.4	11.2
11	-5.2	-3.4	-1.8	-0.4	1.0	2.3	3.5	4.7	5.8	6.7	7.7	8.6	9.4	10.2
10	-6.0	-4.2	-2.6	-1.2	0.1	1.4	2.6	3.7	4.8	5.8	6.7	7.6	8.4	9.2

<sup>4)</sup> Linear interpolation can be performed for the purpose of approximation.

**6.4 Equipment**

The portable extrusion welding equipment consists of a small extruder as the plastifying unit, which is driven by e. g. a electromotor.

It is customary to pre-heat the weld joint using a fan or built-in hot air equipment connected to the air supply.



Extruder

The following features are characteristic for hot gas extrusion welding:

- the welding filler is similar to the moulding material
- the welding filler is homogeneous and completely plastified
- the bonding surfaces are heated to welding temperature by hot air
- insert depth 0.5–1.0 mm
- the extruded material is formed and pressed down by a welding shoe
- in comparison with hot gas welding shorter working times and higher mechanical strength properties are achieved with high seam quality and low internal stresses

#### Shape of the welding shoe

The extruded welding filler is formed and pressed down by a welding shoe (e.g. PTFE). Following factors depend on the shape of the shoe:

- filling volume
- filling speed
- material flow
- seam sealing and form
- even pressure

The welding shoe must be suited to the shape of the individual seam. Basically the rule is: the wider the welding seam the longer the shoe should be (see also DVS 2207-4).

Only plastics with high heat stability can be used as materials for the shoe, PTFE has been the most successful. As well as the required high heat stability this plastic has good sliding properties and is anti-adhesive.

## 6.5 Finishing the weld seam

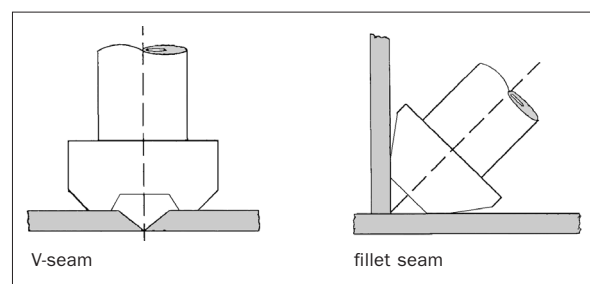
In principle weld seams should be so made that no additional treatment is necessary. Extrusion weld seams should have an even smooth surface and a perfectly welded zone around the circumference.

To avoid notches at the base of the seams a root face layer or seam protection may be hot gas welded.

Any extruded material that appears at the edge of the shoe – especially with highly stressed connections – should be removed using an appropriately shaped scraper.

## 6.6 Avoidance of cavity formation in welded items

Cavities are formed after the actual welding process. They can be reduced by changes in the speed of cooling, in the welding shoe geometry, but only by a minimum degree by changing the welding parameters.



Design of a welding shoe

In particular cavities appear with increased wall thicknesses. They arise because after the solidification of the seam surface a load-bearing external skin is formed which resists the volume contraction, cavities are formed as an inevitable result.

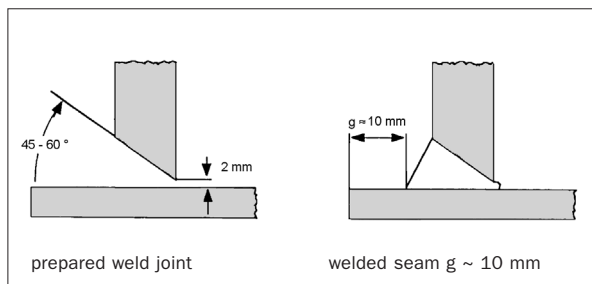
Slow and thereby low in cavities cooling of the weld seam can be achieved by using a cloth cover (e.g. glass wool with aluminium foil or textile cloth).

At the same time stresses in the seam area are reduced.

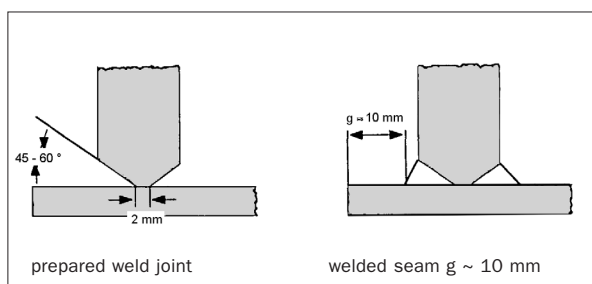
## 6.7 Seam shapes

T-joint, HV-seam (half V seam) with fillet seam, DV seam

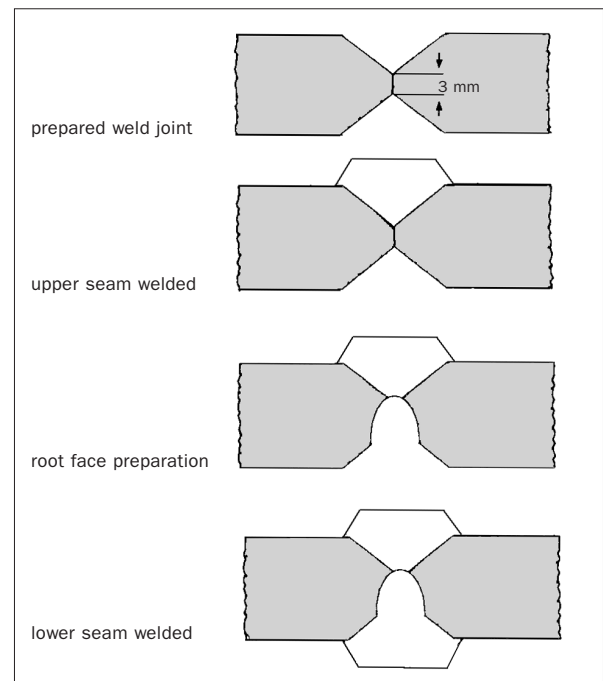
The projection  $g$  serves to support and guide the welding shoes.



*T-joint, HV-seam with fillet seam*



*T-joint with double-HV-seam*



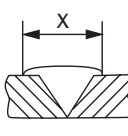
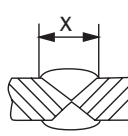
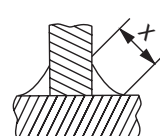
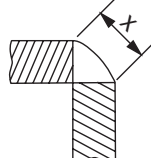
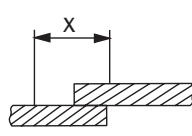
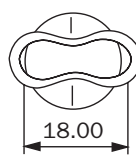
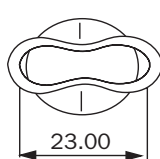
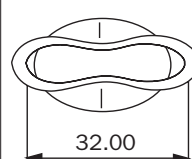
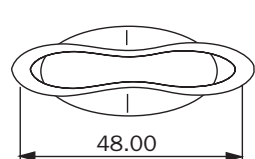
*Butt joint with DV-seam - weld seam without fissures*



## 6.8 Variables which affect joint seam quality

- Cleanliness of base material, welding filler and heating-up air
- Welding filler melt temperature
- Base material melt temperature
- Hot gas temperature
- Welding extrudate throughput
- Hot gas volume
- Welding speed (forward feed)
- Welding pressure

Examples of the dimensional design of the welding nozzle and the crosssection of the air outlet aperture for welded seam widths of up to 40 mm (DIN EN 13705, 2004)

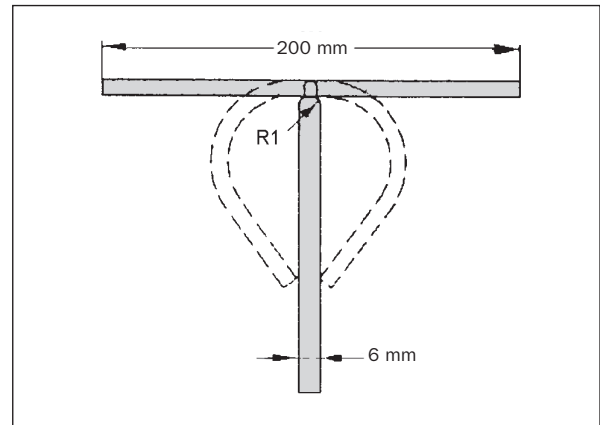
Seam profile	V profile	X profile	T profile	Angle profile	Overlapping
					
X (mm) Nozzle	to 16	from 17 to 21	from 21 to 30	from 25 to 40	
					

## 7 Testing the weld seam strength

### 7.1 Manual testing

DVS Guideline 2203-5: “This method for the technical bending test is a simple test adapted for carrying out in the workshop. Because of the forces involved this method is limited to test thicknesses of  $\leq 10$  mm.

The test piece with the finished weld seam is bent over a rounded 6 mm thick rod in one quick movement (see figure) until it breaks or the free ends of the test piece touch the rod.”



*Schematic presentation of the manual test*

### 7.2 Welding factor (tensile test)

(DVS 2203-5)

#### Welding factor

	Hot gas welding		Heated element butt welding		Extrusion welding	
	short term factor	long term factor	short term factor	long term factor	short term factor	long term factor
PE-HWU/-HWST	0.8	0.4	0.9	0.8	0.8	0.6
PP-DWU/-DWST	0.8	0.4	0.9	0.8	0.8	0.6
PVC-CAW/-MZ/-C	0.8	0.4	0.9	0.6	–	–
PVDF	0.8	0.4	0.9	0.6	–	–

The short term factors are valid for loading times of up to an hour. Consequently for pre-fabricated parts calculations only the long term factors are to be used.

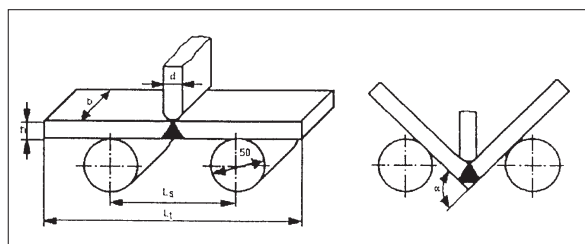
The weld factor is the relationship of the tensile strength of the weld seam to that of the base material:

$$\frac{\text{tensile strength of the weld seam}}{\text{tensile strength of the base material}}$$

### 7.3 Technological bending test

(DVS 2203-5)

The technological bending test serves – together with other tests – to judge how the welding has been carried out. Bending angle and break formation demonstrate the deformability of the connection and thus the quality of how the welding has been carried out. The endurance characteristics of a welded connection can only be determined to a limited extent from the bending test results.



Schematic presentation of the machine test

#### Dimensions of experimental set-up and test specimens (DVS 2203-5)

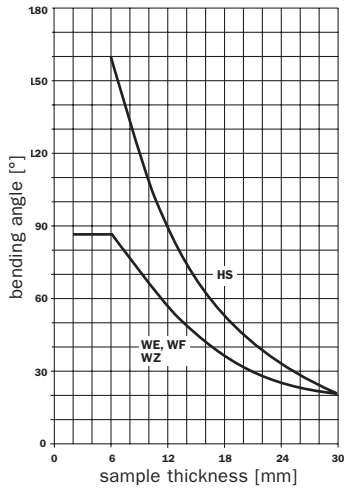
	Test specimen					
	Thickness <i>s</i> nominal size mm	Width <i>b</i> mm		Minimum length <i>L</i> <sub>1</sub> mm	Span <i>L</i> <sub>s</sub> mm	Bending punch thickness <i>a</i> mm
		Pipe	Sheet			
	3 < <i>s</i> ≤ 5	0.1 × <i>d</i> <sup>1)</sup> min.: 6 max.: 30	20	150	80	4
	5 < <i>s</i> ≤ 10		20	200	90	8
	10 < <i>s</i> ≤ 15		20	200	100	12.5
	15 < <i>s</i> ≤ 20		30	250	120	16
	20 < <i>s</i> ≤ 30		30	300	160	25

<sup>1)</sup> Nominal diameter

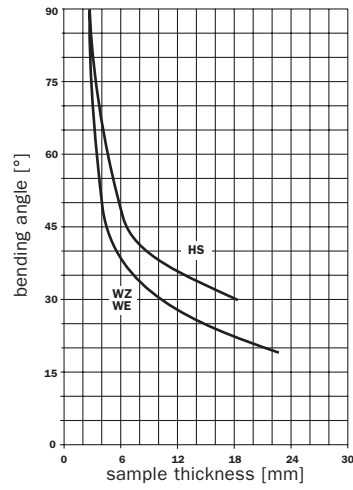
#### Test speed

Material	Test speed mm/min
PE-HD	50
PP-R	50
PP-H, -B	20
PVDF	20
PVC-U	10

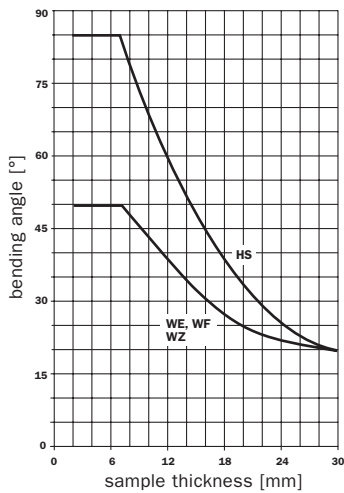
**Dependence of minimum bending angle of SIMONA semi-finished products on the sample thickness**



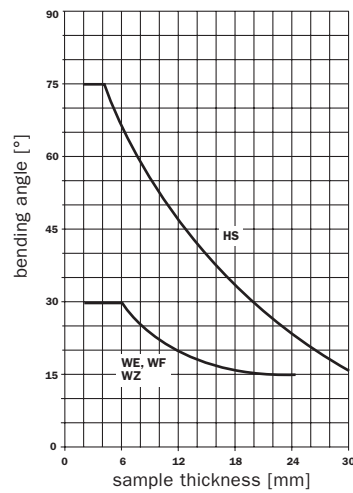
SIMONA®  
PE-HWU/HWST



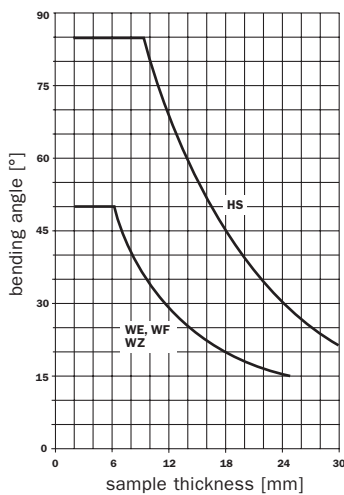
SIMONA®  
PVDF



SIMONA® PP-C,  
PP-DWU/DWST/  
PE-EL



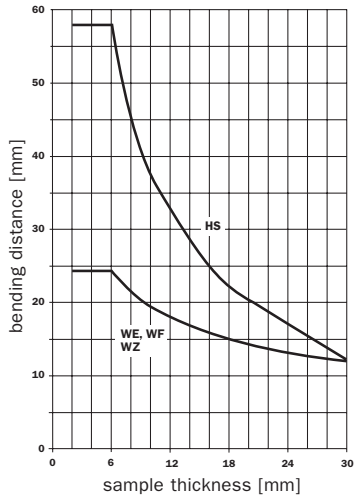
SIMONA®  
PVC-CAW/  
PVC-C



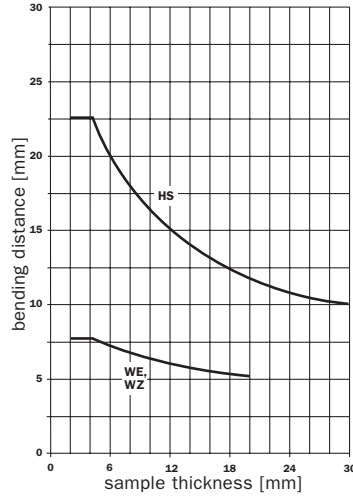
SIMONA®  
PVC-MZ/HSV

- HS: heated element butt welding
- WF: hot gas welding with torch separate from filler rod
- WZ: hot gas draw welding
- WE: hot gas extrusion welding

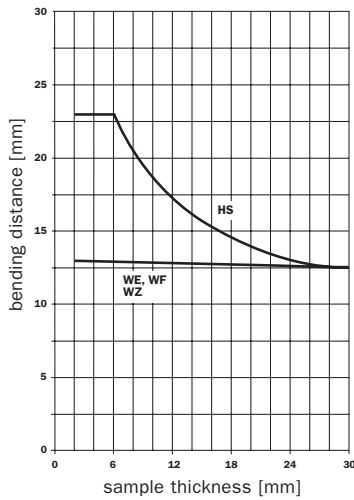
**Dependence of minimum bending distance of SIMONA semi-finished products on the sample thickness**



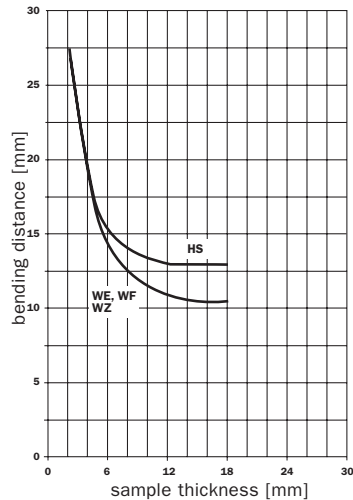
SIMONA®  
PE-HWU/HWST



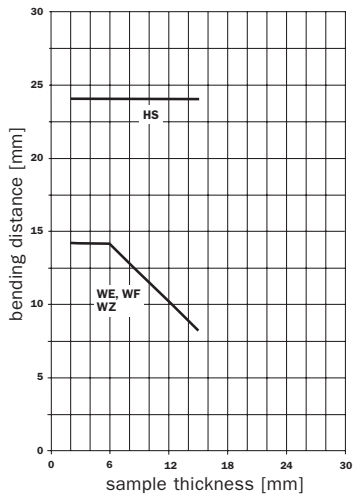
SIMONA®  
PVDF



SIMONA® PP-C,  
PP-DWU/DWST/  
PE-EL



SIMONA®  
PVC-CAW/  
PVC-C



SIMONA®  
PVC-MZ/HSV

HS: heated element butt welding  
WF: hot gas welding with torch separate from filler rod  
WZ: hot gas draw welding  
WE: hot gas extrusion welding

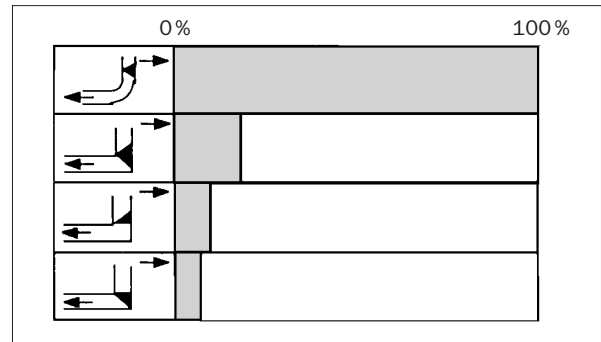
# 8 Weld connections

## 8.1 Structural strength of weld connections

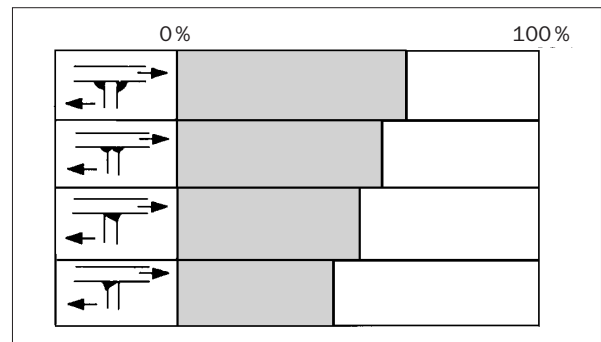
Internal and external notches as well as unfavourable wall thickness variations give rise to connection strengths which are possibly lower than the material strength. Weld connections always represent a non-homogeneity. As weld seams are in most cases not finished off, this results in irregularities on the surface which cause a reduction in structural strength.

In the above figure (right column) four different corner joints of varied design are shown. If these corner joints are exposed to a bending stress then it is seen that right angled corner connections are generally much less favourable than rounded corners with bonding positions outside the curve. Curves always allow an essentially unhindered distribution of forces and result in an up to 10 times greater structural strength than conventional right angled corner connections.

T shaped connections with one-sided weld seams show considerably less favourable behaviour than those welded on both sides (see figure in the right column below). It is important that there are no notches on the side of the part which will be stretched in use. The structural strength is favourably affected by rounding off the fillet seams and thereby having a positive effect on the distribution of forces.

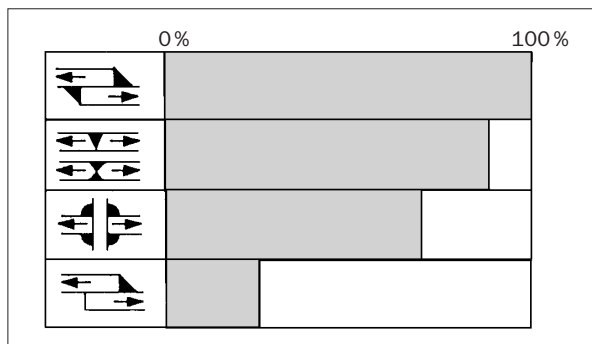


Angled welding connections



T shaped welding connections

Connections represented in the below figure are subject to a tensile stress. Tensile or shear stresses arise in the seam area. A finished V seam produces a high structural strength because the distribution of forces is not impeded and the notch effect is minimized. With single strapped connections shearing and tensile forces as well as bending moments arise in the welded seam. The structural strength is very low because the distribution of forces is greatly impeded. In contrast double strapped connections allow a favourable distribution of forces. This type of connection possesses a high structural strength. The same applies to cross connections.



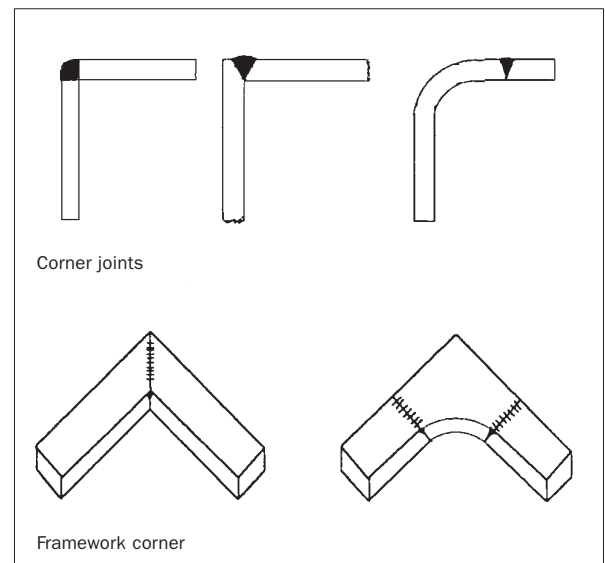
Plain welding connections

## 8.2 Weld seam position

The following examples of shapes are to be considered in connection with and in addition to DVS 2205 Sheet 3.

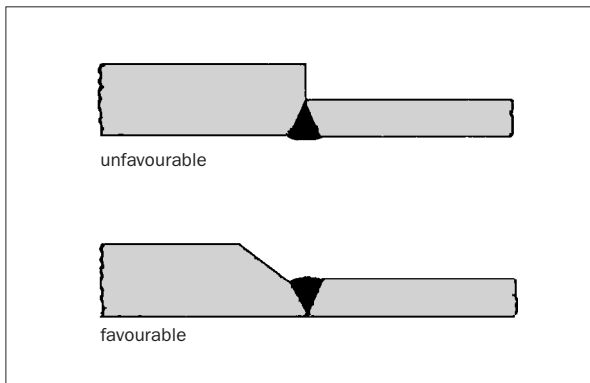
With load-bearing seams or fillet seams the weld seams should be so dimensioned that the required cross-sections are sufficient for the transmission of forces. Butt joints are to be preferred.

V seams should be counter welded at the root face.



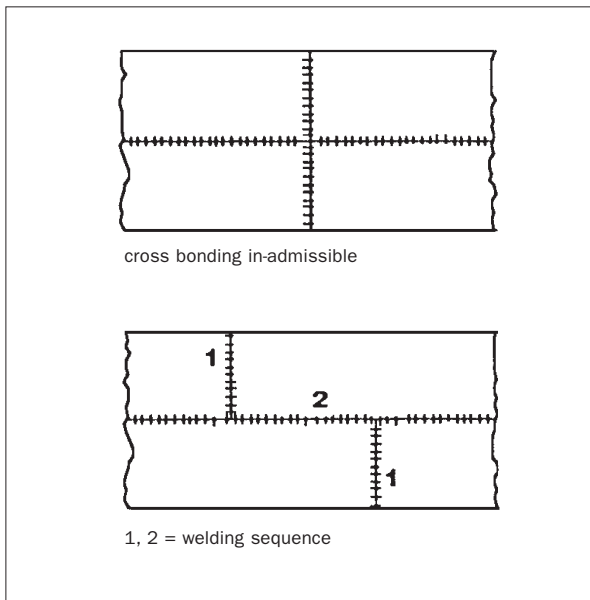
Examples for corner arrangements

At butt joints involving different wall thicknesses a cross over of the force distributions should be aimed for.

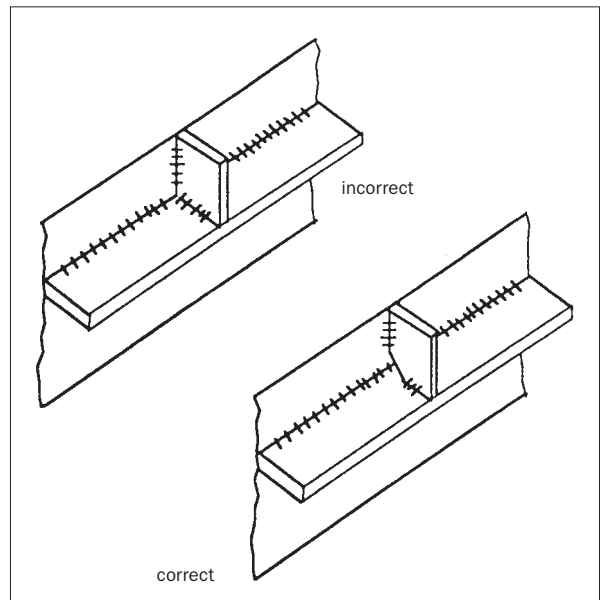


Examples for cross-section changes

Grouping together weld seams should be avoided. Intersecting seams are inadmissible.



Examples for grouping together weld seams



Reinforcement connections

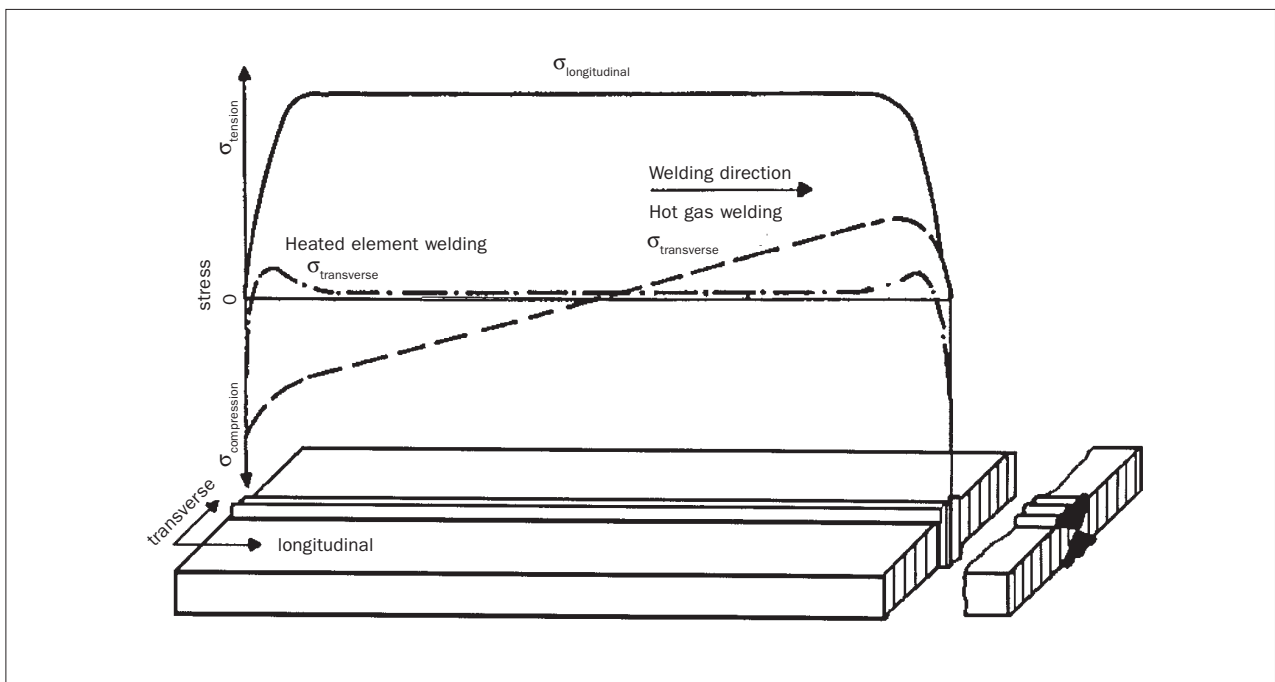


### 8.3 Stresses

When thermoplastics are welded various stress conditions arise depending on the welding method. These can develop across, along and, in the case of thicker materials, vertically within the weld seam. These stresses are caused by local heating linked to uneven cooling.

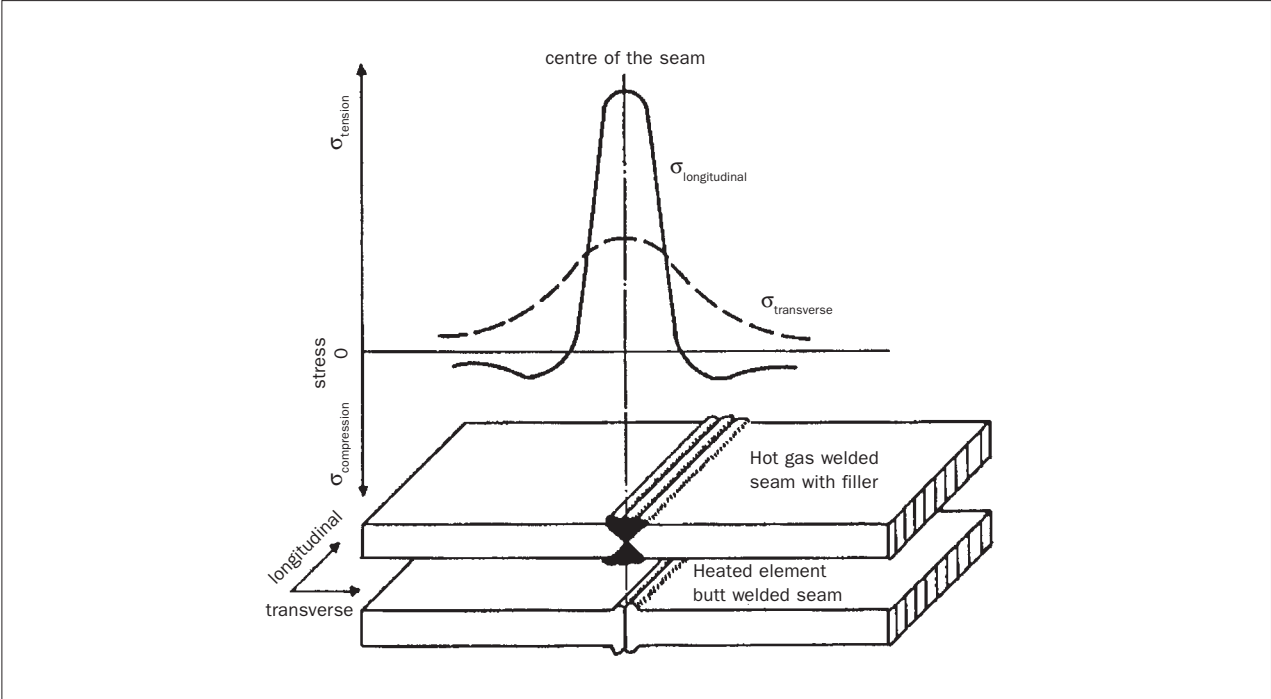
On heating the material in the weld seam zone compression stresses are set up by thermal linear expansion. Relaxation of these stresses occurred during the welding process because of the plastic condition of stresses form. During the following cooling, thermal tension stresses develop. While the appearance of longitudinal weld stresses in the cross-section of the weld seam is independent of the welding process this is not the case for the appearance of transverse

stresses. The decisive point is whether the sheet to be welded is fixed or if it is able to contract. With hot gas welding the successive parts of the welding process are responsible for the build up to lateral stresses: because of the already mentioned stress relaxation, thermal tension stresses appear in the start area. As welding progresses these material zones must now take up the similarly developing tension stresses. It follows that in the last zone to be welded tension stresses are maintained, in the first zones however tension stresses build up.



Development of welding stresses along the length of the weld seam for heated element and hot gas welding (acc. to Menges)

Development of the weld stresses over the direction at right angles to the weld seam. The level of the lateral stresses in the heated element butt seam is strongly dependent on the level and duration of the welding pressure (acc. to Menges).



## 9 Advise

Our Sales Department and our Technical Application Department are long-experienced in the application and in the processing of thermoplastic semi-finished products. We look forward to assisting you.

E-mail: [tsc@simona.de](mailto:tsc@simona.de)

# 10 Standards and sources

## 10.1 DVS instructions

### DVS instructions

<b>2201</b>	<b>-2</b>	(02.89)	Testing of semi-finished products of thermoplastics; weldability; test methods – requirements
<b>2202</b>	<b>-1</b>	(07.06)	Welding connection faults of thermoplastics; Characteristics, descriptions, valuation
<b>2203</b>			Testing of semi-finished products and welding joints of thermoplastics
	<b>-1</b>	(01.03)	test methods, requirements
	<b>-2</b>	(04.06)	tensile test
	<b>-3</b>	(04.11)	tensile impact test
	<b>-4</b>	(12.01)	tensile creep test
	<b>-5</b>	(08.99)	technological bending test
<b>2204</b>	<b>-1</b>	(01.11)	Adhesive bonding of thermoplastics Guidelines for adhesive bonding of unplasticized PVC and PVC-C will be worked out.
<b>2205</b>			Calculation of containers and apparatus made from thermoplastics
	<b>-1</b>	(04.02)	characteristic values
	<b>-2</b>	(01.11)	static, circular, non-pressurized containers
	<b>-3</b>	(04.75)	welded connections
	<b>-4</b>	(11.88)	flanged joints
	<b>-5</b>	(07.87)	rectangular tanks
insert		(10.84)	Calculation of containers and apparatus made from thermoplastics, rectangular tanks, constructive details
<b>2206</b>	<b>-1-5</b>	(2011)	Testing of components and constructions made of thermoplastic material
<b>2207</b>			Welding of thermoplastics,
	<b>-1</b>	(09.05)	heated element butt welding of pipes, pipeline parts and sheets of PE-HD
	<b>-3</b>	(04.05)	Hot gas welding of thermoplastics – sheets and pipes – welding parameter
	<b>-4</b>	(04.05)	extrusion welding; sheets and pipes
	<b>-6</b>	(09.03)	Welding of thermoplastics; contactless heated element butt welding of pipes, pipeline parts and sheets; methods – machines – parameter
	<b>-11</b>	(08.08)	Heated element butt welding of thermoplastics, pipes, pipeline parts and sheets of PP
	<b>-12</b>	(12.06)	Heated tool welding of pipes, piping parts and panels made of PVC-U
	<b>-14</b>	(04.09)	Heated tool fold welding of panels made of PP and PE
	<b>-15</b>	(12.05)	heated element butt welding of pipes, pipeline parts and sheets of PVDF
<b>2208</b>	<b>-1</b>	(03.07)	Machines and equipment for welding of thermoplastic material; heated element welding
<b>2210</b>	<b>-1</b>	(04.97)	Industrial pipelines of thermoplastic materials; planning and execution, overground pipe systems
<b>2211</b>		(04.05)	Filler materials for thermoplastics; scope, designation, requirements, tests
<b>2212</b>	<b>-1</b>	(09.05)	Examination of welders, group 1

DVS instructions are issued by:

Deutscher Verlag für Schweißtechnik GmbH, Aachener Str. 172, 40223 Düsseldorf, Germany

## 10.2 DIN standards

<b>DIN EN 14610</b>	(02.05)	Welding – terms; classification of welding processes
<b>DIN 1910 -3</b>	(09.77)	Welding – Welding of thermoplastic materials; processes
<b>DIN 16960 -1</b>	(02.74)	Welding of thermoplastic materials; general directions
<b>DIN EN 13705</b>	(09.04)	Welding of thermoplastics; machines and equipment for hot-gas welding (incl. hot gas extrusion welding)

## 10.3 VDI guidelines

<b>VDI 2003</b>	(01.76)	Chipforming machining of thermoplastics
-----------------	---------	---

DIN standards and VDI guidelines are issued by:

Beuth-Verlag, Postfach 1145, Burggrafenstr. 4-10, 10772 Berlin 30, Germany

## 10.4 KRV guidelines

---

### Instructions of gluing of PVC pressure pipelines

---

KRV guidelines are issued by:

Kunststoffrohrverband e.V., Gütegemeinschaft Kunststoffrohre e.V., Dyroffstr. 2, 53113 Bonn, Germany

## References

- standards and guidelines mentioned above
- Hoechst brochure: “Umformen, Bearbeiten, Fügen”
- Hadick: Schweißen von Kunststoffen
- Taschenbuch DVS-Merkblätter und -Richtlinien, Fügen von Kunststoffen, Volume 68/IV, 13. edition 2010

# 11 Appendix

Dependent on machine and working conditions a variation of the guide values, especially the heating-up time, indicated in the following tables can be necessary. For that samples have to be made and tested.

# Hot gas welding DVS 2207-3, insert 1

## Guide values – Hot gas welding

Material	Air l/min	Temperature Measured 5 mm in the welding nozzle °C	Speed [cm/min]			
			Ø Fan welding nozzle mm		Ø High-speed welding nozzle mm	
			3	4	3	4
<b>PE</b>						
-HWU, -HWST	50 – 60	320 – 340	10 – 15	approx. 10	≤50	≤40
-HWU-B	50 – 60	320 – 340	10 – 15	approx. 10	≤50	≤40
-FOAM	50 – 60	300 – 340	10 – 15	approx. 10	≤50	≤40
-HML 500	50 – 60	270 – 300	–	–	≤25	≤20
<b>PP</b>						
-DWU AlphaPlus®, -DWST	50 – 60	320 – 340	approx. 10	< 10	≤50	≤40
-DWU-B	50 – 60	320 – 340	approx. 10	< 10	≤50	≤40
-FOAM	50 – 60	300 – 340	approx. 10	< 10	≤50	≤40
PPs	50 – 60	300 – 320	approx. 10	< 10	≤50	≤40
<b>PVC</b>						
-MZ	45 – 55	350 – 370	15 – 20	approx. 15	≤50	≤40
-GLAS	45 – 55	350 – 370	15 – 20	approx. 15	≤60	≤50
-CAW	45 – 55	350 – 380	15 – 20	approx. 15	≤60	≤50
-C	45 – 55	370 – 390	15 – 20	approx. 15	≤60	≤50
COPLAST-AS	45 – 50	340 – 360	20 – 25	15 – 20	approx. 100	approx. 75
SIMOPOR	45 – 50	340 – 360	20 – 25	15 – 20	approx. 100	approx. 75
<b>PVDF*</b>	50 – 60	365 – 385	10 – 15	approx. 10	≤40	≤30
<b>E-CTFE*</b>	50 – 60	350 – 380	–	–	≤25	≤20
<b>SIMOLUX</b>	40 – 50	300 – 320	approx. 15 – 20	approx. 15	≤50	≤40

\* To avoid an oxidation of the welding surface it is recommended to use inert gas (e.g. nitrogen).

# Hot-gas string bead welding and hot-gas welding with torch separate from filler rod (WZ and WF) DVS 2207-3, Insert 1

## Guide values – Hot-gas string bead welding and hot-gas welding with torch separate from filler rod of pipes and sheets

Welding methods	Letter symbol	Hot-gas temperature <sup>1)</sup>	Hot-gas flow <sup>2)</sup>	Welding speed <sup>3)</sup>	Welding load for rod diameter	
		°C	l/min	mm/min	3 mm	4 mm

### Hot-gas welding with torch separate from filler rod WF

Letter symbol	Hot-gas temperature <sup>1)</sup>	Hot-gas flow <sup>2)</sup>	Welding speed <sup>3)</sup>	Welding load for rod diameter
PE-HD <sup>4)</sup>	300 – 320	40 – 50	70 – 90	8 – 10
PP-H, PP-B, PP-R	305 – 315	40 – 50	60 – 85	8 – 10
PVC-U	330 – 350	40 – 50	110 – 170	8 – 10
PVC-C	340 – 360	40 – 50	55 – 85	15 – 20
PVDF	350 – 370	40 – 50	45 – 50	15 – 20

### Hot-gas string bead welding WZ

Letter symbol	Hot-gas temperature <sup>1)</sup>	Hot-gas flow <sup>2)</sup>	Welding speed <sup>3)</sup>	Welding load for rod diameter
PE-HD <sup>4)</sup>	320 – 340	45 – 55	250 – 350	15 – 20
PP-H, PP-B, PP-R	320 – 340	45 – 55	250 – 350	15 – 20
PVC-U	350 – 370	45 – 55	250 – 350	15 – 20
PVC-C	370 – 390	45 – 55	180 – 220	20 – 25
PVDF	365 – 385	45 – 55	200 – 250	20 – 25
E-CTFE	350 – 380	50...60 Hot-gas/nitrogen	220 – 250	10 – 15
FEP	380 – 390	50 – 60	60 – 80	10 – 15
MFA	395 – 405	50 – 60	60 – 80	10 – 15
PFA	400 – 410	50 – 60	70	10 – 15

<sup>1)</sup> 5 mm measured in the nozzle at the centre of the main nozzle aperture

<sup>2)</sup> Intake of cold air at ambient pressure

<sup>3)</sup> Dependent on welding filler diameter and welded joint geometry

<sup>4)</sup> PE 63, PE 80, PE 100



# Heated element butt welding DVS 2207-1

**Guide values – Heated element butt welding of SIMONA® PE-HWU/HWST/PE 100 sheets**

Sheet thickness	Temperature*	Alignment**	Heating-up	Change-over time	Joining	
		$p \approx 0.15 \text{ N/mm}^2$	$p \approx 0.01 \text{ N/mm}^2$		$p \approx 0.15 \text{ N/mm}^2$	
		Bead height	Time	Max. time***	Joining pressure build-up time	Cooling time under joining pressure
mm	°C	mm	s	s	s	min
3	220	0.5	30	< 3	3.0	6.0
4	220	0.5	40	< 3	4.0	6.0
5	215	1.0	50	< 3	5.0	7.0
6	215	1.0	60	< 3	5.5	8.5
8	215	1.5	80	< 3	6.5	11.0
10	215	1.5	100	< 3	7.0	12.5
12	210	2.0	120	< 3	8.0	16.0
15	210	2.0	150	< 3	8.5	19.5
20	205	2.0	200	< 3	10.5	25.0
25	205	2.5	250	< 3	11.5	31.0
30	200	2.5	300	< 3	13.5	36.5
35	200	3.0	350	< 3	15.5	42.5
40	200	3.5	400	< 3	17.0	48.5
50	200	3.5	500	< 3	25.0	60.0
60	200	4.0	600	< 3	30.0	70.0
70	200	4.0	700	< 3	35.0	80.0

\* For PE 100 a constant heated element temperature of 220°C is recommended for all thicknesses.

\*\* Bead height at the heat element at the end of alignment time (alignment under 0.15 N/mm<sup>2</sup>)

\*\*\* Change-over time should be kept as short as possible or else the plastified surfaces will solidify.

**Guide values – Heated element butt welding on sheets made of SIMONA® PE FOAM**

Sheet thickness	Temperature	Alignment*	Heating-up	Change-over	Joining	
		$p \approx 0.30 \text{ N/mm}^2$	$p \approx 0.01 \text{ N/mm}^2$		$p \approx 0.30 \text{ N/mm}^2$	
		Bead height	Time	Max. time**	Joining pressure build-up time	Cooling time at joining pressure
mm	°C	mm	s	s	s	min
6	215	1.0	60	<3	5.5	8.5
8	215	1.5	80	<3	6.5	11.0
10	215	1.5	100	<3	7.0	12.5
12	210	2.0	120	<3	8.0	16.0
15	210	2.0	150	<3	8.5	19.5
20	205	2.0	200	<3	10.5	25.0

\* Bead height at the heated element at the end of alignment time (alignment under 0.3 N/mm<sup>2</sup>)

\*\* Change-over time must be kept as short as possible or else the plastified surfaces will solidify.

# Heated element butt welding DVS 2207-11

**Guide values – Heated element butt welding of SIMONA® PP-DWU/DWST, PPs sheets**

Sheet thickness	Temperature	Alignment*	Heating-up	Change-over time	Joining	
		$p = 0.1 \text{ N/mm}^2$	$p \leq 0.01 \text{ N/mm}^2$		$p \approx 0.1 \text{ N/mm}^2 \pm 0.01$	
		Bead height	Time	Max. time**	Joining pressure build-up time	Cooling time under joining pressure
mm	°C	mm	s	s	s	min
3	220	0.5	105	<3	5	6
4	220	0.5	130	<3	5	6
5	215	0.5	145	<3	5 – 6	6 – 12
6	215	0.5	160	<3	5 – 6	6 – 12
8	215	1.0	190	<3	6 – 8	12 – 20
10	215	1.0	215	<3	6 – 8	12 – 20
12	210	1.0	245	<3	8 – 11	20 – 30
15	210	1.0	280	<3	8 – 11	20 – 30
20	205	1.5	340	<3	11 – 14	30 – 40
25	205	1.5	390	<3	11 – 14	30 – 40
30	200	1.5	430	<3	14 – 19	40 – 55
35	200	2.0	470	<3	14 – 19	40 – 55
40	200	2.0	505	<3	19 – 25	55 – 70
50	200	2.5	560	<3	25 – 32	55 – 70

\* Bead height on the heat element at the end of the alignment time (alignment under 0.1 N/mm<sup>2</sup>)

\*\* Change-over time should be kept as short as possible or else the plastified surfaces will solidify.

**Guide values – Heated element butt welding on sheets made of SIMONA® PP FOAM**

Sheet thickness	Temperature	Alignment*	Heating-up	Change-over	Joining	
		$p \approx 0.20 \text{ N/mm}^2$	$p \approx 0.01 \text{ N/mm}^2$		$p \approx 0.20 \text{ N/mm}^2 \pm 0.01$	
		Bead height	Time	Max. time**	Joining pressure build-up time	Cooling time at joining pressure
mm	°C	mm	s	s	s	min
6	215	0.5	160	<3	5–6	6–12
8	215	1.0	190	<3	6–8	12–20
10	215	1.0	215	<3	6–8	12–20
12	210	1.0	245	<3	8–11	20–30
15	210	1.0	280	<3	8–11	20–30
20	205	1.5	340	<3	11–14	30–40

\* Bead height at the heated element at the end of alignment time (alignment under 0.2 N/mm<sup>2</sup>)

\*\* Change-over time should be kept as short as possible or else the plastified surfaces will solidify.

# Heated element butt welding

**Guide values – Heated element butt welding of SIMONA® PVC-CAW sheets**

Sheet thickness	Temperature	Alignment*	Heating-up	Change-over time	Joining	
		p = 0.5 N/mm <sup>2</sup>	p ≈ 0.03 N/mm <sup>2</sup>		p ≈ 0.5 N/mm <sup>2</sup>	
		Bead height	Time	Max. time**	Joining pressure build-up time = 1 x wall thickness	Cooling time under joining pressure
mm	°C	mm	s	s	s	min
3	225 – 230	> 0.5	45	<2	3	3
4	225 – 230	> 0.5	60	<2	4	4
5	225 – 230	> 0.5	75	<2	5	5
6	225 – 230	> 0.5	90	<2	6	6
8	220 – 225	> 1.0	120	<2	8	8
10	220 – 225	> 1.0	150	<2	10	10
12	220 – 225	> 1.0	180	<2	12	12
15	220 – 225	> 1.5	225	<2	15	15
20	220 – 225	> 1.5	300	<2	20	20
25	220 – 225	> 2.0	375	<2	20	25
30	220 – 225	> 2.0	450	<2	20	30

\* Bead height at the heat element at the end of alignment time (alignment under 0.5 N/mm<sup>2</sup>)

\*\* Change-over time should be kept as short as possible or else the plastified surfaces will solidify.

# Heated element butt welding DVS 2207-15

**Guide values – Heated element butt welding of SIMONA® PVDF sheets**

Sheet thickness	Temperature	Alignment*	Heating-up	Change-over time	Joining	
		$p \approx 0.1 \text{ N/mm}^2$	$p \leq 0.01 \text{ N/mm}^2$		$p \approx 0.1 \text{ N/mm}^2$	
		Bead height	Time = 10 x wall thickness + 40 s	Max. time**	Joining pressure build-up time = 0.4 x wall thickness + 2.5 s	Cooling time under joining pressure = 1.2 x wall thickness + 2 min
mm	°C	mm	Time s		s	s
3	245	0.5	70	<3	3.5	5.5
4	245	0.5	80	<3	4.0	7.0
5	245	0.5	90	<3	4.5	8.0
6	240	0.5	100	<3	5.0	9.0
8	240	1.0	120	<3	5.5	11.5
10	240	1.0	140	<3	6.5	14.0
12	235	1.0	160	<3	7.5	16.5
15	235	1.3	190	<3	8.5	20.0
20	235	1.7	240	<3	10.5	26.0
25	235	2.0	290	<3	13.0	32.0
30	235	2.0	340	<3	13.0	40.0
40	235	2.0	440	<3	13.0	50.0
50	235	2.0	540	<3	13.0	60.0

\* Bead height on the heat element at the end of the alignment time (alignment under 0.1 N/mm<sup>2</sup>)

\*\* Change-over time should be kept as short as possible or else the plastified surfaces will solidify.

For contactless heated element butt welding of PVDF a DVS guideline is valid:

Draft 2207-6 Welding of thermoplastic materials

Contactless heated element butt welding of pipes, pipelines and sheets  
methods – machines – parameters

# Heated element butt welding

**Guide values – Heated element butt welding of SIMONA® E-CTFE sheets**

Sheet thickness	Alignment*	Heating-up	Change-over time	Joining	
	$p \approx 0.3 \text{ N/mm}^2$	$p \leq 0.03 \text{ N/mm}^2$		$p \approx 0.15 \text{ N/mm}^2$	
	Bead height	Time	Max. time**	Joining pressure build-up time	Cooling time under joining pressure = 100 x wall thickness
mm	mm	s	s	s	min
2,3	>0.5	35	<3	3	~ 5
3	>0.5	45	<3	4	~ 6
4	>0.5	60	<3	5	~ 8
5	>0.5	75	<3	6	~ 10

The heated element temperature is 260–270 °C.

\* Bead height at the heat element at the end of alignment time (alignment under 0.3 N/mm<sup>2</sup>)

\*\* Change-over time should be kept as short as possible or else the plastified surfaces will solidify.

**Attention!** The heating elements of the well-known welding machines have a temperature limit of 250 °C. Therefore, please get in contact with the machine manufacturer.

# Heated element butt welding

**Guide values – Heated element butt welding of sheets of high molecular weight materials**

Material	Alignment pressure N/mm <sup>2</sup>	Heating-up p = 0.01 N/mm <sup>2</sup>	Change-over time	Joining pressure build-up time	Cooling	
		Time s	Max. Time* s	s	Pressure N/mm <sup>2</sup>	Time min
(bead height = 1 mm)						
PE-HML 500	1.0	sheet thickness in mm x 20 to 25	< 3	< 10	1.0	sheet thickness in mm x 1,5
PE-HMG 1000	3.0		< 3	< 10	3.0	

The heated element temperature is 200–210 °C.

\* Change-over time should be kept as short as possible or else the plastified surfaces will solidify.

There are no guidelines for welding high-molecular weight materials.  
However, the figures indicated above produce good results.

# Heated element butt welding DVS 2207-1

**Guide values – Heated element butt welding of PE 80/PE 100/PE 100 RC pipes**

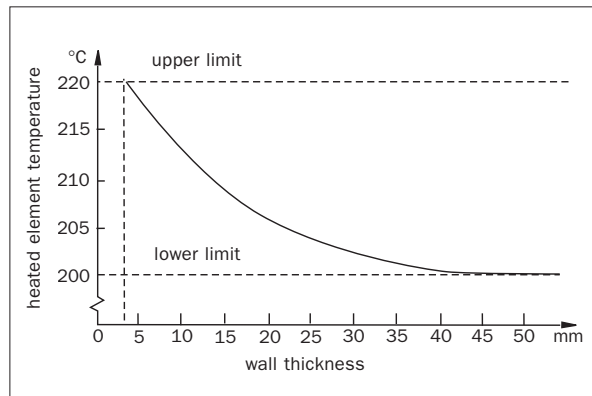
Wall thickness	Alignment* p ≈ 0.15 N/mm <sup>2</sup>	Heating-up p ≈ 0.01 N/mm <sup>2</sup>	Change-over time	Joining p ≈ 0.15 N/mm <sup>2</sup>	
				Joining pressure build-up time	Cooling time under joining pressure
mm	mm	Time s	Max. time** s	s	min
up to 4.5	0.5	45	5	5	6
4.5 – 7	1.0	45 – 70	5 – 6	5 – 6	6 – 10
7 – 12	1.5	70 – 120	6 – 8	6 – 8	10 – 16
12 – 19	2.0	120 – 190	8 – 10	8 – 11	16 – 24
19 – 26	2.5	190 – 260	10 – 12	11 – 14	24 – 32
26 – 37	3.0	260 – 370	12 – 16	14 – 19	32 – 45
37 – 50	3.5	370 – 500	16 – 20	19 – 25	45 – 60
50 – 70	4.0	500 – 700	20 – 25	25 – 35	60 – 80

The heated element temperature is 200–220 °C.

For PE 100 a constant heated element temperature of 220 °C is recommended for all thicknesses.

\* Bead height at the heat element at the end of alignment time (alignment under 0.15 N/mm<sup>2</sup>)

\*\* Change-over time should be kept as short as possible or else the plastified surfaces will solidify.



*Guide values for heated element temperatures in relation to the wall thickness.*

# Heated element butt welding DVS 2207-11

## Guide values – Heated element butt welding of PP pipes

Wall thickness	Alignment* p = 0.1 N/mm <sup>2</sup>	Heating-up p ≤ 0.01 N/mm <sup>2</sup>	Change-over time	Joining p = 0.10 N/mm <sup>2</sup> ± 0.01	
				Time	Max. time**
mm	mm	s	s	s	min
up to 4.5	0.5	135	5	6	6
4.5 – 7	0.5	135 – 175	5 – 6	6 – 7	6 – 12
7 – 12	1.0	175 – 245	6 – 7	7 – 11	12 – 20
12 – 19	1.0	245 – 330	7 – 9	11 – 17	20 – 30
19 – 26	1.5	330 – 400	9 – 11	17 – 22	30 – 40
26 – 37	2.0	400 – 485	11 – 14	22 – 32	40 – 55
37 – 50	2.5	485 – 560	14 – 17	32 – 43	55 – 70

The heated element temperature is 210 ± 10 °C.

\* Change-over time should be kept as short as possible or else the plastified surfaces will solidify.

\*\* Bead height at the heat element at the end of alignment time (alignment under 0.1 N/mm<sup>2</sup>)



# Heated element butt welding DVS 2207-12

**Guide values – heated element butt welding of pipes, fittings, sheets of PVC-U/PVC-C**

Wall thickness	Temperature	Alignment*	Heating-up	Change-over time	Joining	
		p = 0.5 N/mm <sup>2</sup>	p = 0.03 N/mm <sup>2</sup>		p ≈ 0.5 N/mm <sup>2</sup>	
		Bead height	15 sec x s	Max. time**	Joining pressure build-up time 1 + s/2	Cooling time under joining pressure 2 min x s min
mm	°C	mm	s	s	s	
1.9	230	0.5	28.5	<2	2	4
3	230	0.5	45	<2	3	6
4	230	0.5	60	<2	3	8
6	230	0.5	90	<2	4	12
8	230	1.0	120	<2	5	16
10	230	1.0	150	<2	6	20
12	230	1.0	180	<2	7	24
15	230	1.5	225	<2	9	30
20	230	1.5	300	<2	11	40
25	230	1.5	375	<2	14	50

At an outdoor temperature of 20 °C ± 2 °C and light flow of air (no draught)

\* Bead height at the heat element at the end of alignment time (alignment under 0.5 N/mm<sup>2</sup>)

\*\* Change-over time should be kept as short as possible or else the plastified surfaces will solidify.

# Heated element butt welding DVS 2207-15

**Guide values – Heated element butt welding of PVDF pipes**

Wall thickness	Alignment $p \approx 0.10 \text{ N/mm}^2$	Heating-up* $p \leq 0.01 \text{ N/mm}^2$	Change-over time	Joining $p = 0.10 \text{ N/mm}^2$	
	Bead height K before heating-up	Time = 10 x wall thickness + 40 s		Max. time**	Joining pressure build-up time = 0.4 x wall thickness + 2.5 s
mm	mm	s	s	s	Min. value min
1.9 – 3.5	0.5	59 – 75	3	3 – 4	5 – 6
3.5 – 5.5	0.5	75 – 95	3	4 – 5	6 – 8.5
5.5 – 10.0	0.5 – 1.0	95 – 140	4	5 – 7	8.5 – 14
10.0 – 15.0	1.0 – 1.3	140 – 190	4	7 – 9	14 – 19
15.0 – 20.0	1.3 – 1.7	190 – 240	5	9 – 11	19 – 25
20.0 – 25.0	1.7 – 2.0	240 – 290	5	11 – 13	25 – 32

For PVDF a temperature of  $240 \pm 8^\circ\text{C}$  is recommended.

\* Bead height at the heat element at the end of alignment time (alignment under  $0.1 \text{ N/mm}^2$ )

\*\* Change-over time should be kept as short as possible or else the plastified surfaces will solidify.

# Heated element socket welding DVS 2207-1 and 11

**Guide values – Heated element socket welding of PE-80/100 and PP pipes**

Pipe diameter d	Heating-up time		Change-over time Max. time	Cooling time (min. value)	
	SDR 11	SDR 17		clamped s	total min
mm	s	s	s		
16	5		4	6	2
20	5		4	6	2
25	7	<sup>1)</sup>	4	10	2
32	8	<sup>1)</sup>	6	10	4
40	12	<sup>1)</sup>	6	20	4
50	18	<sup>1)</sup>	6	20	4
63	24	<sup>1)</sup>	8	30	6
75	30	15	8	30	6
90	40	22	8	40	6
110	50	30	10	50	8
125	60	35	10	60	8

<sup>1)</sup> Not recommended because of the reduced wall thickness  
The heated element temperature is 260 ± 10 °C.

# Heated element socket welding DVS 2207-15

## Guide values – Heated element socket welding of PVDF pipes

Pipe diameter d	Heating-up time	Change-over time max. admissible time	Cooling time <sup>1)</sup>	
			(min. value)	
mm	s	s	clamped s	total min
16	4	4	6	2
20	6	4	6	2
25	8	4	6	2
32	10	4	12	4
40	12	4	12	4
50	18	4	12	4
63	20	6	18	6
75	22	6	18	6
90	25	6	18	6
110	30	6	24	8

<sup>1)</sup> Welding by hand the parts to be joined must be fixed according to the temperature in column "clamped".  
Only after cooling time (see column "total") the weld joint can be charged by further processing

The heated element temperature is  $260 \pm 10$  °C.

# 12 Legal Note and Advice

## Legal Note

Upon publication of a new edition all previous editions shall become void. The authoritative version of this publication can be found on our website at [www.simona.de](http://www.simona.de).

All information furnished in this publication reflects our current scope of knowledge on the date of publication and is designed to provide details of our products and potential fields of application (errors and omissions excepted, including typographical mistakes). This shall not be deemed as constituting the provision of legally binding guarantees or warranties as to specific properties of the products or their suitability for specific areas of application.

We shall assume no liability for the application, utilisation, processing or other use of this information or of our products. Furthermore, we shall assume no liability for any consequences related thereto. The purchaser is obliged to examine the quality and properties of these products; he shall be responsible in full for selecting, applying, utilising and processing said products as well as applying any information relating thereto, which shall also include all consequences associated with such actions. Third-party property rights shall be observed accordingly.

We provide warranty for the faultless quality of our products within the framework of our Standard Terms and Conditions of Sale.

## Advice

Our applied technical advice is given according to our best knowledge and is based on the information you have provided and the state of the art known to us at the time such advice is furnished. The advice shall not constitute a guarantee or warranty of specific characteristics or qualities and shall not establish an independent contractual legal relationship.

We are only liable for intent or gross negligence. Any information provided by us shall not release you from your obligation to conduct your own assessments and evaluations.

We reserve the right to update information without notice as part of our continuous research and development programme.

Our sales staff and members of the Technical Service Center look forward to advising you on all issues relating to the processing and application of semi-finished thermoplastics.

Phone +49(0)67 52 14-587

Fax +49(0)67 52 14-302

[tsc@simona.de](mailto:tsc@simona.de)

# SIMONA worldwide

## SIMONA AG

### Teichweg 16 D-55606 Kirn Germany

Phone +49(0)67 52 14-0  
Fax +49(0)67 52 14-211  
mail@simona.de  
www.simona.de

## PRODUCTION SITES

### Plant I/II

Teichweg 16  
D-55606 Kirn  
Germany  
Phone +49(0)67 52 14-0  
Fax +49(0)67 52 14-211

### Plant III

Gewerbestraße 1-2  
D-77975 Ringsheim  
Germany  
Phone +49(0)78 22 436-0  
Fax +49(0)78 22 436-124

### SIMONA Plast-Technik s.r.o.

U Autodílen 23  
CZ-43603 Litvínov-Chudeřín  
Czech Republic

### SIMONA ENGINEERING PLASTICS (Guangdong) Co. Ltd.

No. 368 Jinou Road  
High & New Technology Industrial  
Development Zone  
Jiangmen, Guangdong  
China 529000

### SIMONA AMERICA Inc.

64 N. Conahan Drive  
Hazleton, PA 18201  
USA

## SALES OFFICES

### SIMONA S.A.S. FRANCE

Z.I. 1, rue du Plant Loger  
F-95335 Domont Cedex  
Phone +33(0)1 39 35 49 49  
Fax +33(0)1 39 91 05 58  
mail@simona-fr.com  
www.simona-fr.com

### SIMONA UK LIMITED

Telford Drive  
Brookmead Industrial Park  
GB-Stafford ST16 3ST  
Phone +44(0)1785 222444  
Fax +44(0)1785 222080  
mail@simona-uk.com  
www.simona-uk.com

### SIMONA AG SCHWEIZ

Industriezone  
Bäumlimattstraße 16  
CH-4313 Möhlin  
Phone +41(0)61 855 9070  
Fax +41(0)61 855 9075  
mail@simona-ch.com  
www.simona-ch.com

### SIMONA S.r.l. ITALIA

Via Padana Superiore 19/B  
I-20090 Vimodrone (MI)  
Phone +39 02 25 08 51  
Fax +39 02 25 08 520  
mail@simona-it.com  
www.simona-it.com

### SIMONA IBERICA

SEMIELABORADOS S.L.  
Doctor Josep Castells, 26-30  
Polígono Industrial Fonollar  
E-08830 Sant Boi de Llobregat  
Phone +34 93 635 4103  
Fax +34 93 630 88 90  
mail@simona-es.com  
www.simona-es.com

### SIMONA-PLASTICS CZ, s.r.o.

Zděbradská ul. 70  
CZ-25101 Říčany-Jažlovice  
Phone +420 323 63 78 3-7/-8/-9  
Fax +420 323 63 78 48  
mail@simona-cz.com  
www.simona-cz.com

### SIMONA POLSKA Sp. z o.o.

ul. H. Kamieńskiego 201-219  
PL-51-126 Wrocław  
Phone +48(0)71 3 52 80 20  
Fax +48(0)71 3 52 81 40  
biuro@simona.pl  
www.simona-pl.com

### OOO "SIMONA RUS"

Prospekt Andropova, 18, Bl. 6  
115432 Moscow  
Russian Federation  
Phone +7 (499) 683 00 41  
Fax +7 (499) 683 00 42  
mail@simona-ru.com  
www.simona-ru.com

### SIMONA FAR EAST LIMITED

Room 501, 5/F  
CCT Telecom Building  
11 Wo Shing Street  
Fo Tan  
Hongkong  
Phone +852 29 47 01 93  
Fax +852 29 47 01 98  
sales@simona.com.hk

### SIMONA ENGINEERING PLASTICS TRADING (Shanghai) Co. Ltd.

Room C, 19/F, Block A  
Jia Fa Mansion  
129 Da Tian Road, Jing An District  
Shanghai  
China 200041  
Phone +86 21 6267 0881  
Fax +86 21 6267 0885  
shanghai@simona.com.cn

### SIMONA AMERICA Inc.

64 N. Conahan Drive  
Hazleton, PA 18201  
USA  
Phone +1 866 501 2992  
Fax +1 800 522 4857  
mail@simona-america.com  
www.simona-america.com